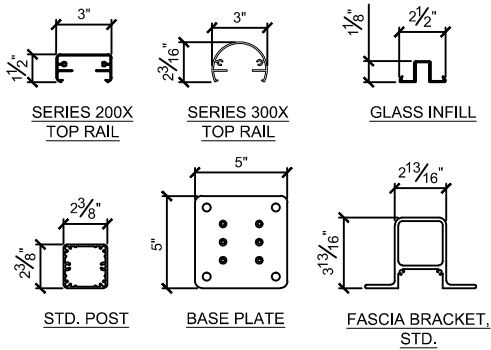
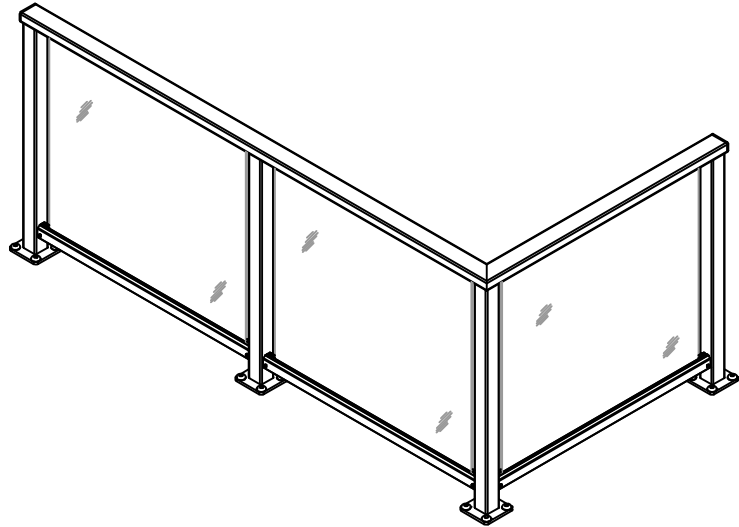




HANSEN ARCHITECTURAL SYSTEMS

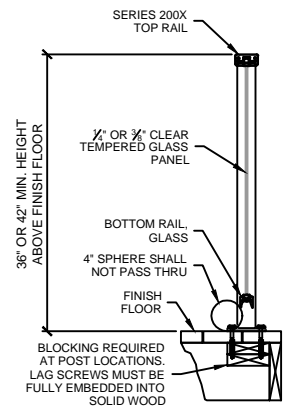


PART PROFILES



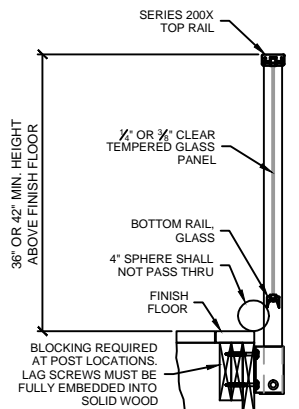
TYPICAL ISOMETRIC VIEW

(SERIES 200X, SURFACE MOUNT SHOWN)



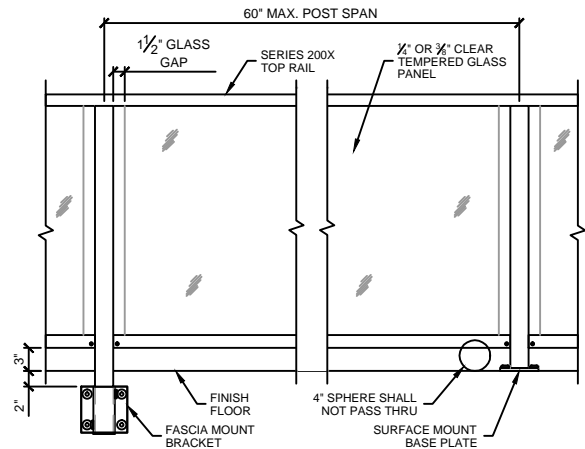
TYPICAL SECTION VIEW

(SERIES 200X, SURFACE MOUNT)



TYPICAL SECTION VIEW

(SERIES 200X, FASCIA MOUNT)



TYPICAL ELEVATION VIEW

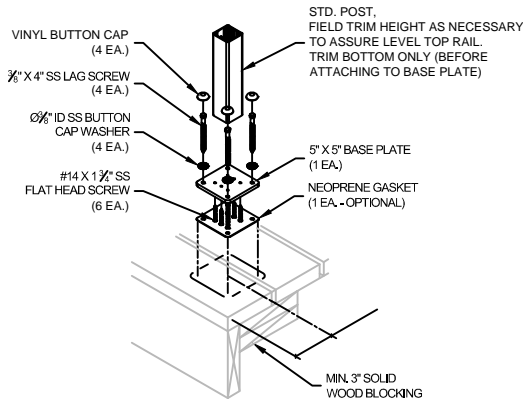
(SERIES 200X)

SERIES 200X & 300X GLASS RAILING SYSTEM

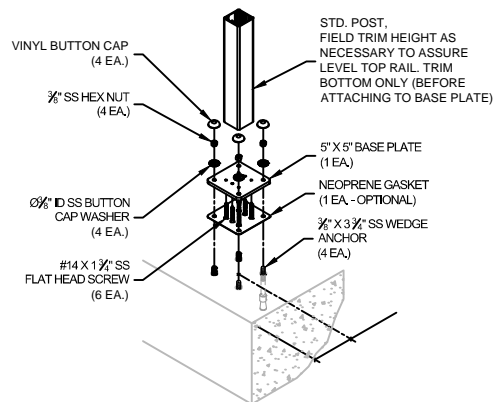
5500 SE ALEXANDER ST. HILLSBORO OR. 97123
 PH. 503-356-0959 FAX 503-356-8478
 www.aluminumrailing.com



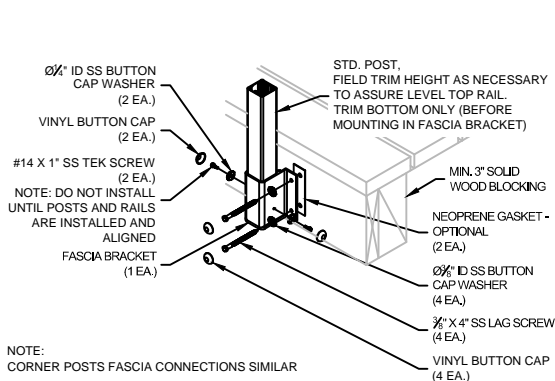
MOUNTING DETAILS



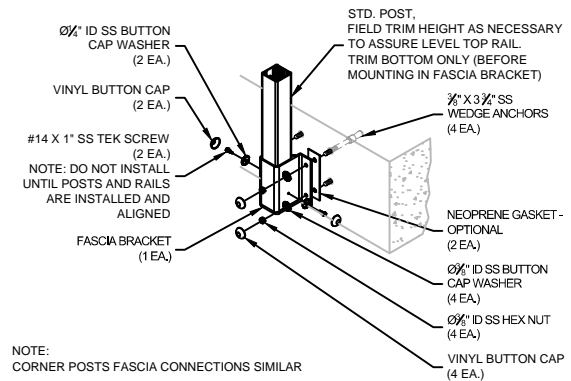
TYP. SURFACE MOUNT TO WOOD CONNECTION



TYP. SURFACE MOUNT TO CONCRETE CONNECTION



TYP. FASCIA MOUNT TO WOOD CONNECTION



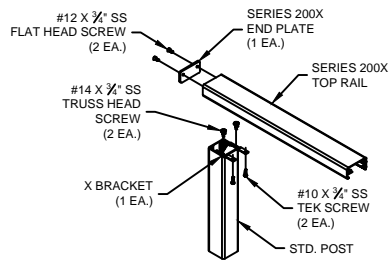
TYP. FASCIA MOUNT TO CONCRETE CONNECTION

SERIES 200X & 300X GLASS RAILING SYSTEM

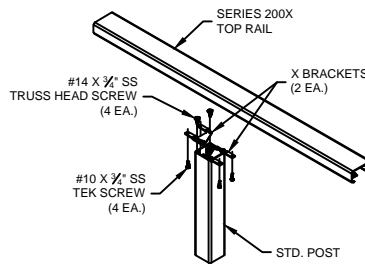
5500 SE ALEXANDER ST. HILLSBORO OR. 97123
PH. 503-356-0959 FAX 503-356-8478
www.aluminumrailing.com



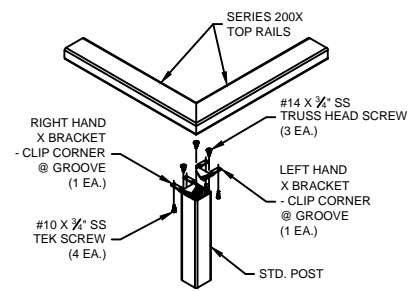
CONNECTION DETAILS



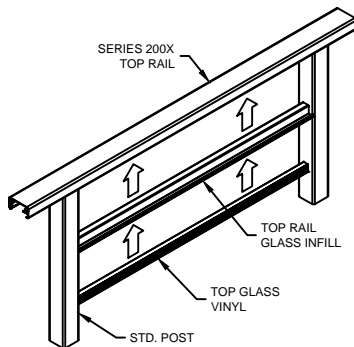
○ TYP. TOP RAIL END CONNECTION



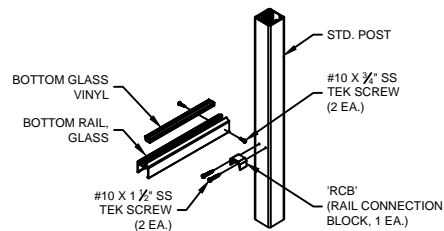
○ TYP. TOP RAIL INLINE CONNECTION



○ TYP. TOP RAIL CORNER CONNECTION



○ TYP. TOP RAIL GLASS INFILL CONNECTION



○ TYP. BOTTOM RAIL CONNECTION

SERIES 200X & 300X GLASS RAILING SYSTEM

5500 SE ALEXANDER ST. HILLSBORO OR. 97123
PH. 503-356-0959 FAX 503-356-8478
www.aluminumrailing.com