

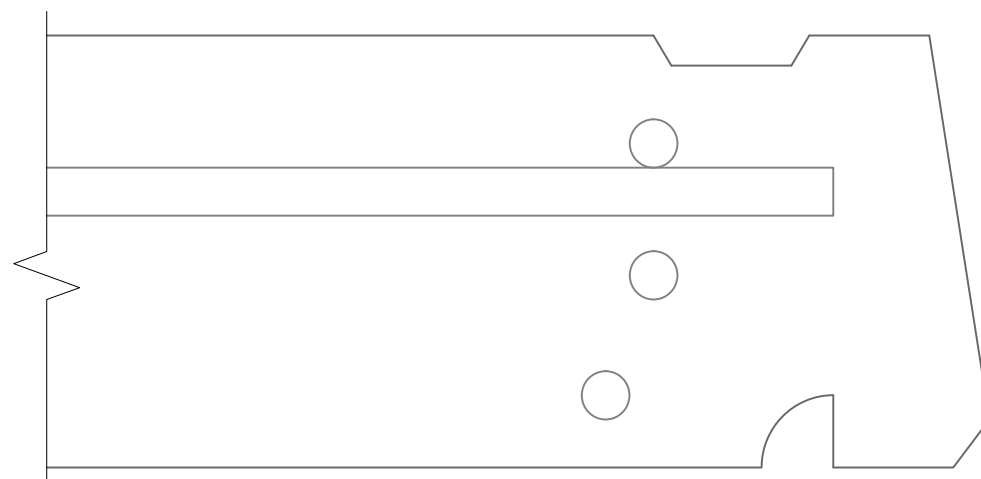
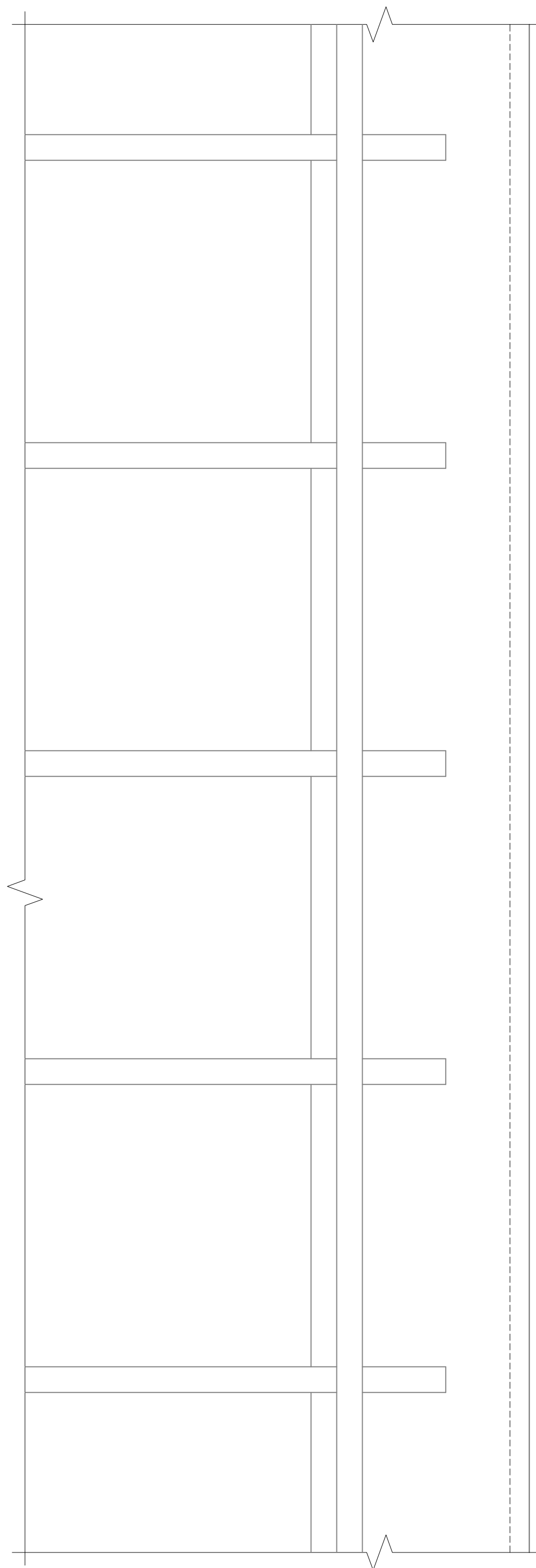
WORLD CLASS ALUMINUM PRODUCTS
HANSEN
 ARCHITECTURAL
 SYSTEMS
 PHONE 503.356.0959
 FAX 503.356.8478
 WWW.ALUMINUMRAILING.COM

FASCIA MOUNT (HALFEN CONNECTION)

CONCEPT DRAWING

DRAWING	
PROJECT	
DRAWN BY	JLG
DATE ISSUED	01/16/14
SCALE	NTS

SHEET	REVISION
1	0



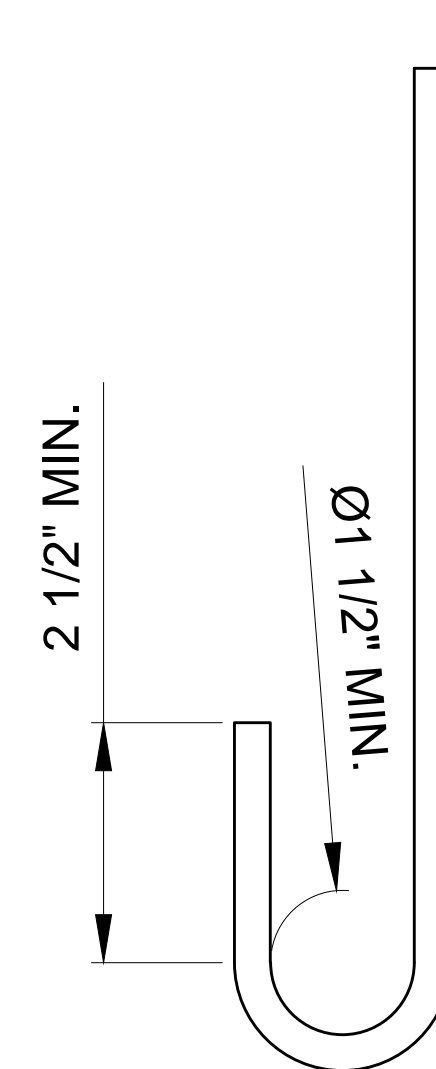
1 EXISTING WALKWAY EDGE

Scale: 6"=1'-0"

NOTE:
 MINIMUM OF (4) TRANSVERSE CONNECTIONS REQUIRED BETWEEN NEW AND EXISTING CONCRETE. IF THERE ARE LESS THAN (4) EXISTING TRANSVERSE BARS ADD APPROPRIATE NUMBER OF EPOXY COATED #3 REBAR WITH HOOK EPOXY SET INTO EXISTING CONCRETE
 ALTERNATE TO #3 REBAR: 3/8" DIAMETER HEADED STUDS

PLACE #3 REBAR (OR HEADED STUDS) AS CLOSE TO CENTERED BETWEEN EXISTING TRANSVERSE BARS AS POSSIBLE. IN NO LOCATION SHALL #3 REBAR (OR HEADED STUDS) BE LOCATED CLOSER THAN 1-1/2" TO EXISTING TRANSVERSE BARS

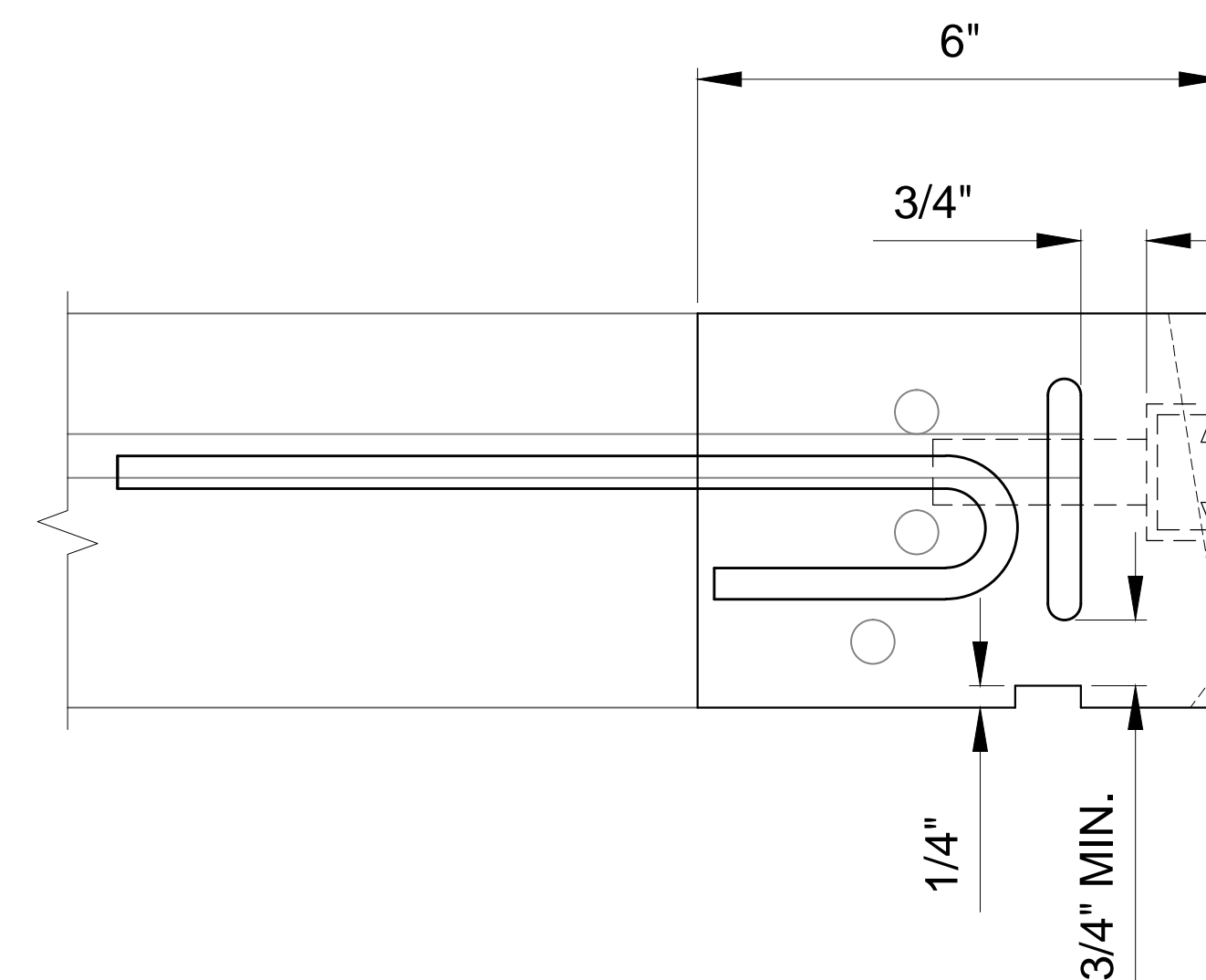
NEW CONCRETE TO BE MINIMUM 6,000 PSI REINFORCED WITH FIBERGLASS
 ALTERNATE TO FIBERGLASS: MAXIMUM 0.3 WATER TO CEMENT RATIO



#3 REBAR REQUIRED DIMENSIONS.

NOTE:
 HOOK MAY BE ROTATED AS NEEDED TO CLEAR EXISTING REBAR. MAINTAIN MIN 3/4" CLEAR FROM ALL EDGES OF CONCRETE.

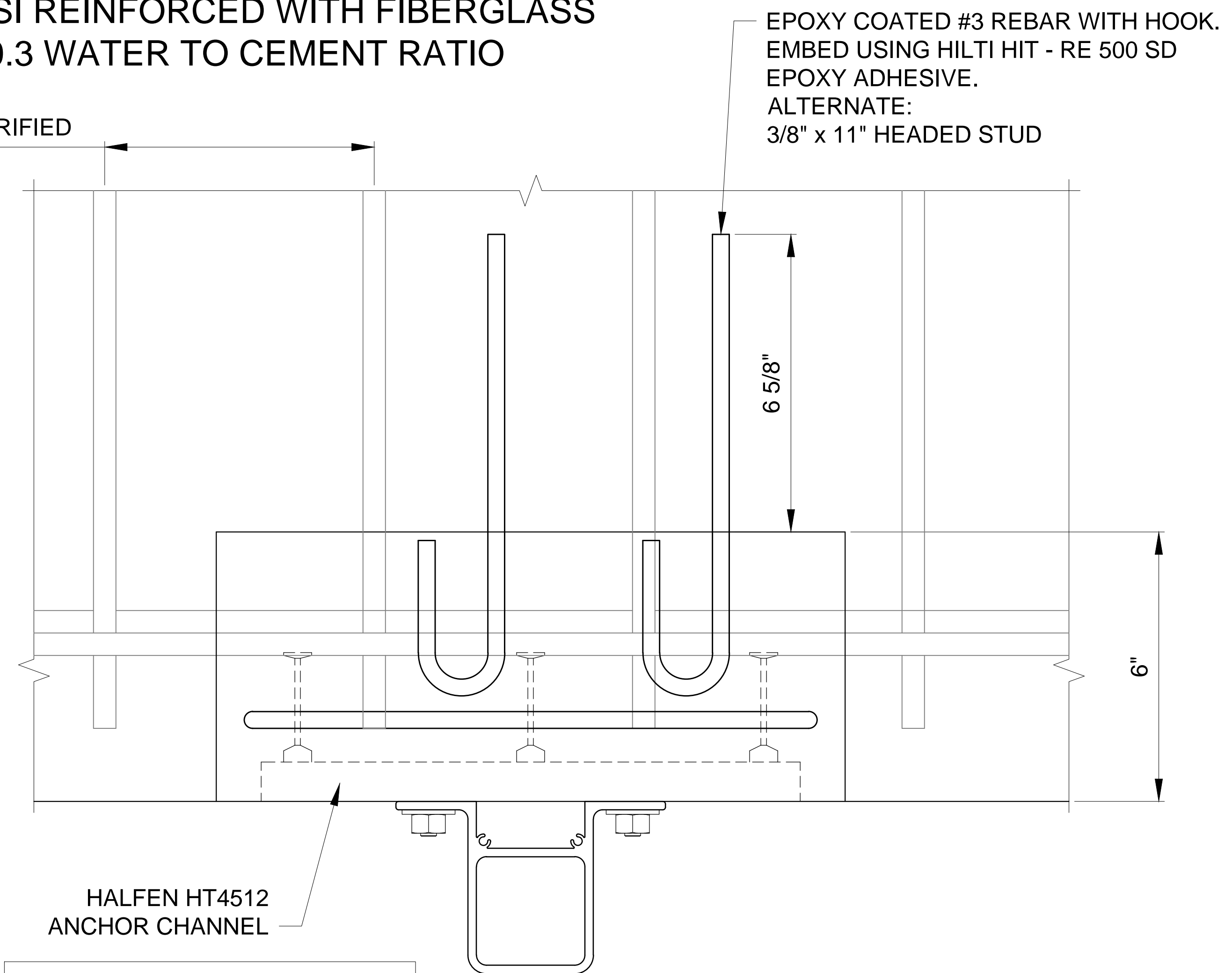
NOTE:
 THIS DRAWING IS A SUPPLEMENT TO THE SHOP DRAWING SUBMITTAL PACKAGE AND IS TO COMMUNICATE THE STRUCTURAL REQUIREMENTS FOR THE HALFEN ANCHOR CHANNEL INSTALLATION.



2 NEW WALKWAY EDGE AT RAILING POST LOCATIONS - HALFEN INSTALLATION REQUIREMENTS

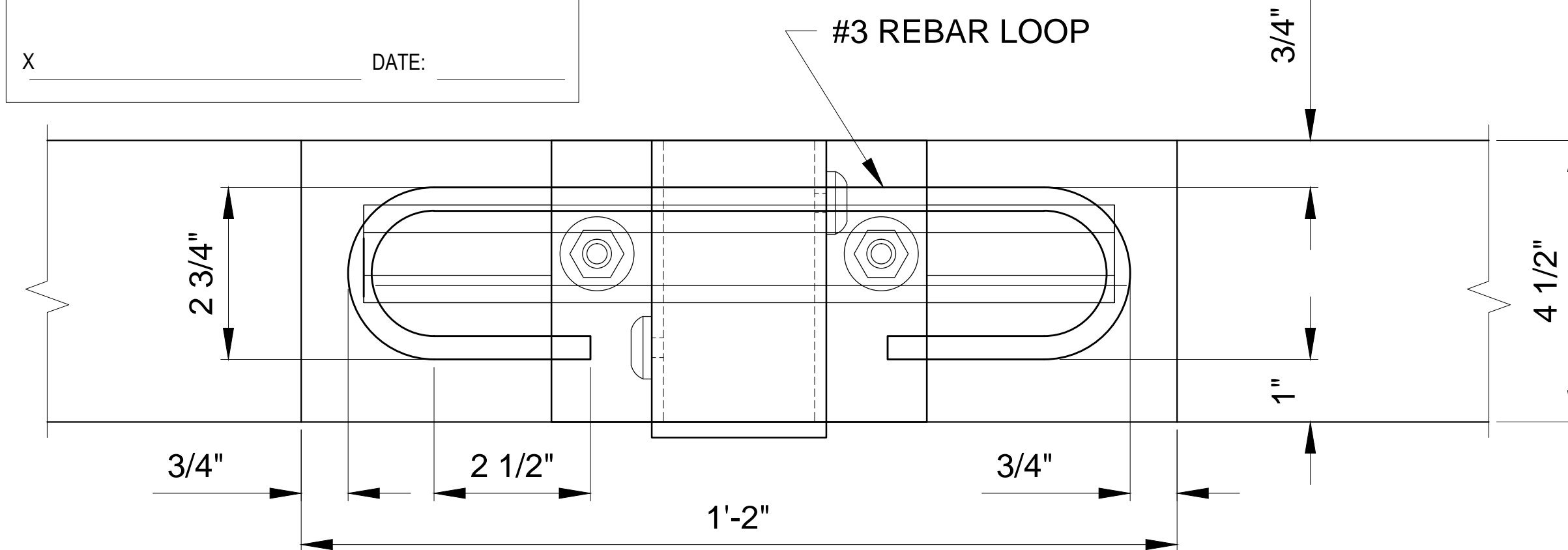
Scale: 6"=1'-0"

6" - ASSUMED - NOT VERIFIED



EPOXY COATED #3 REBAR WITH HOOK. EMBED USING HILTI HIT - RE 500 SD EPOXY ADHESIVE.
 ALTERNATE:
 3/8" x 11" HEADED STUD

MARK ANY REVISIONS OR ALTERATIONS IN RED INK AND RETURN TO HANSEN ARCHITECTURAL SYSTEMS. IF THERE ARE NO REVISIONS AND THE CLIENT HAS VERIFIED ALL INFORMATION AS ACCURATE. CLIENT SIGNOFF, DATE AND RETURN SIGNED COPY AND FABRICATION WILL BEGIN.
 X _____ DATE: _____



WORLD CLASS ARCHITECTURAL PRODUCTS
HANSEN
 ARCHITECTURAL SYSTEMS

ARIZONA CALIFORNIA COLORADO FLORIDA HAWAII NEVADA OREGON TEXAS UTAH WASHINGTON MEXICO

5500 SE ALEXANDER ST.
 HILLSBORO, OR 97123
 PH: 503.366.8478
 FAX: 503.366.8478
 WWW.ALUMINUMRAILING.COM

PROJECT DESCRIPTION
CLASS 1 CLEAR ANODIZED - 200X - FASCIA MOUNT

SUBMITTAL

PROPRIETARY AND CONFIDENTIAL
 THE INFORMATION CONTAINED IN THIS DRAWING IS THE SOLE PROPERTY OF HANSEN ARCHITECTURAL. ANY REPRODUCTION IN PART OR AS A WHOLE WITHOUT WRITTEN PERMISSION OF HANSEN ARCHITECTURAL IS PROHIBITED.

REV	DESCRIPTION	DATE

TYPE OF PROJECTION: THIRD ANGLE
 TOLERANCES: DIMENSIONS ARE IN INCHES UNLESS OTHERWISE SPECIFIED. FRACTIONAL: 1/16 ANGULAR: MACHINED ±1° TWO PLACE DECIMAL: ±0.1 THREE PLACE DECIMAL: ±0.05

CLIENT INFORMATION
THE AMERICAN COATING COMPANY

PROJECT NAME
MAKIKI TOWER HONOLULU, HI

INSTALLATION
MAKIKI TOWER - HALFEN INSTALL

DRAWING	1S
PROJECT	DBL
DRAWN BY	12/03/12
DATE ISSUED	AS NOTED
SCALE	

SHEET	REVISION
1 of 1	1