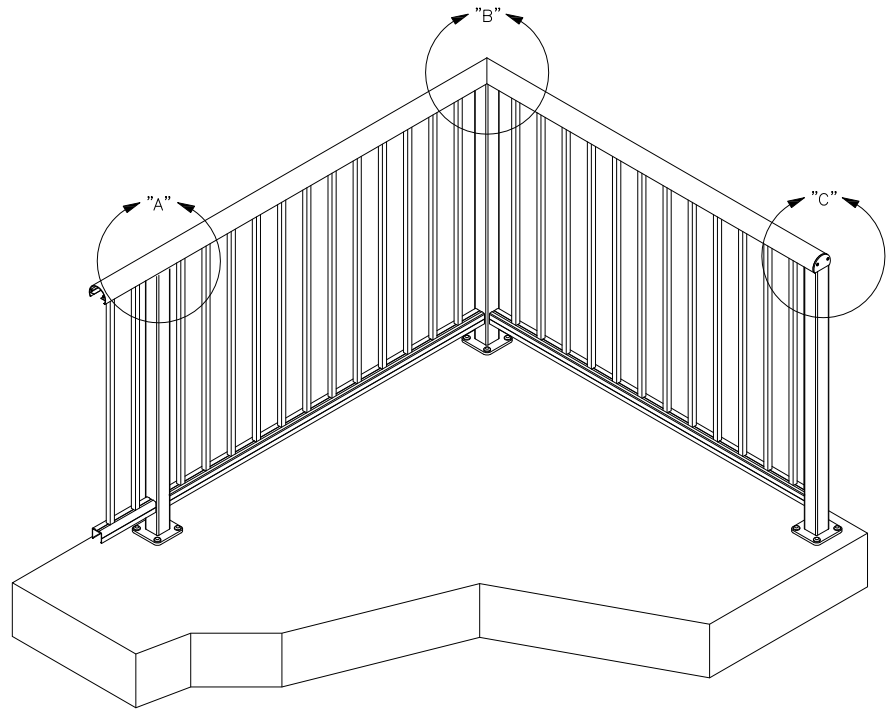




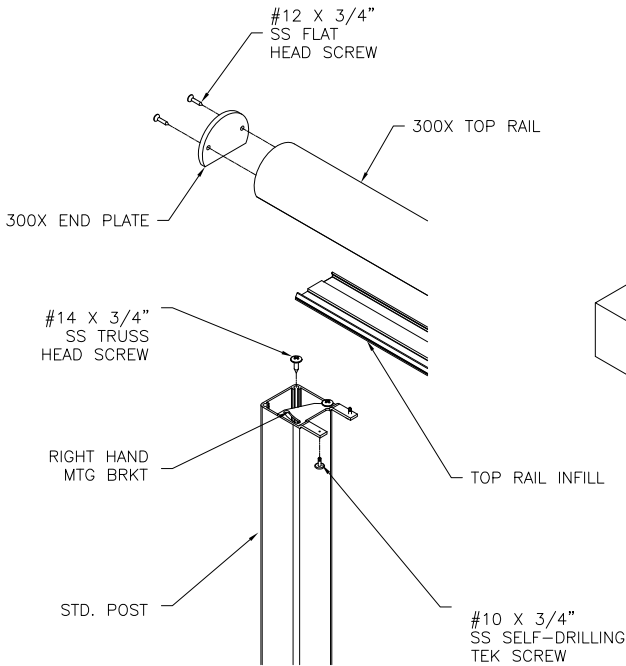
WORLD CLASS ARCHITECTURAL PRODUCTS

HANSEN
ARCHITECTURAL
SYSTEMS

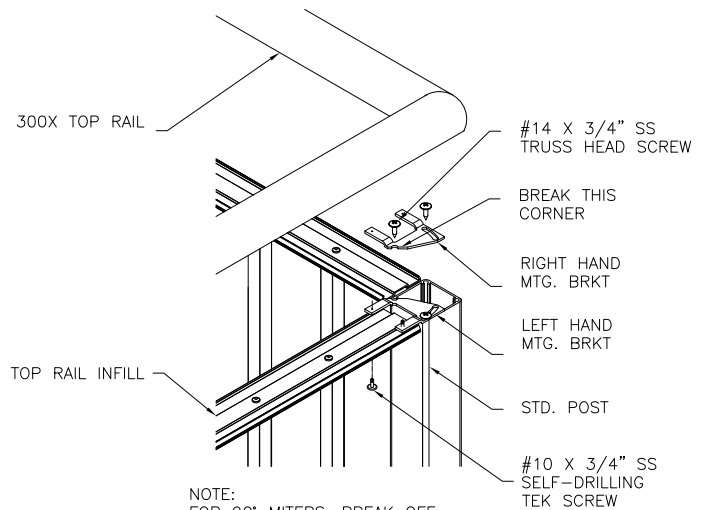
5500 SE ALEXANDER ST. HILLSBORO OR. 97123
PH. 503-356-0959 FAX 503-356-8478



TYPICAL ISOMETRIC
NTS

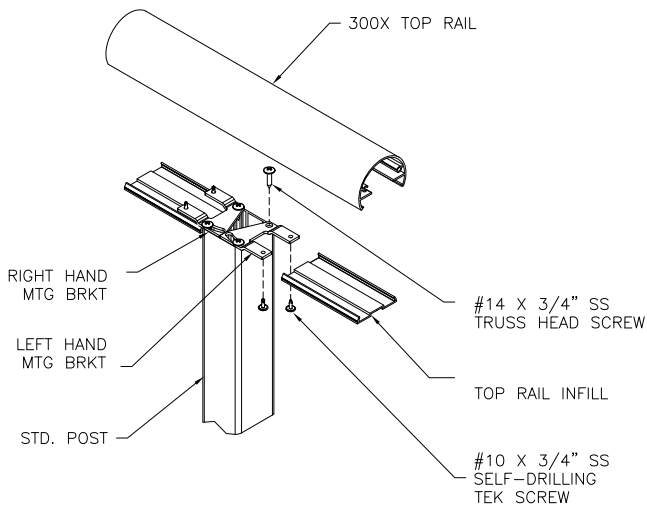


C END CONDITION DETAIL
SCALE: 2.5



NOTE:
FOR 90° MITERS, BREAK OFF
CORNERS OF BRACKETS AND
PLACE AS SHOWN

B TYP. CORNER CONN.
SCALE: 2.5

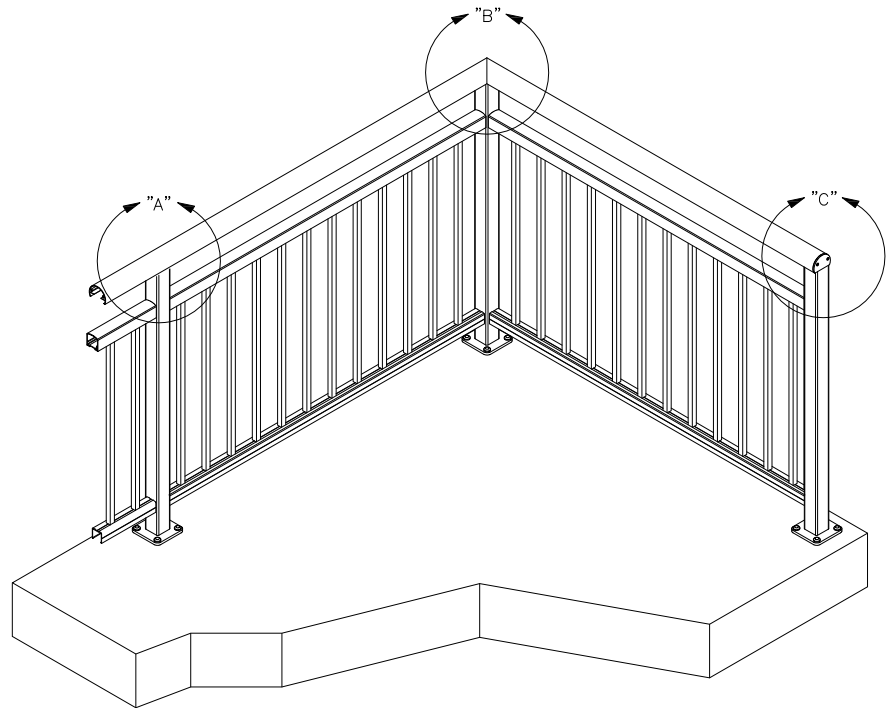


A TYP. TOP RAIL CONNECTION
SCALE: 2.5

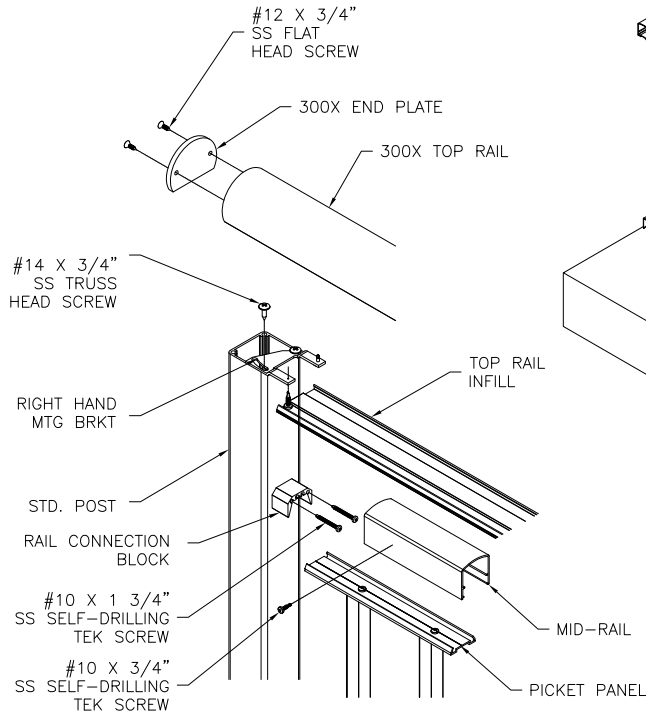


WORLD CLASS ARCHITECTURAL PRODUCTS
HANSEN
 ARCHITECTURAL
 SYSTEMS

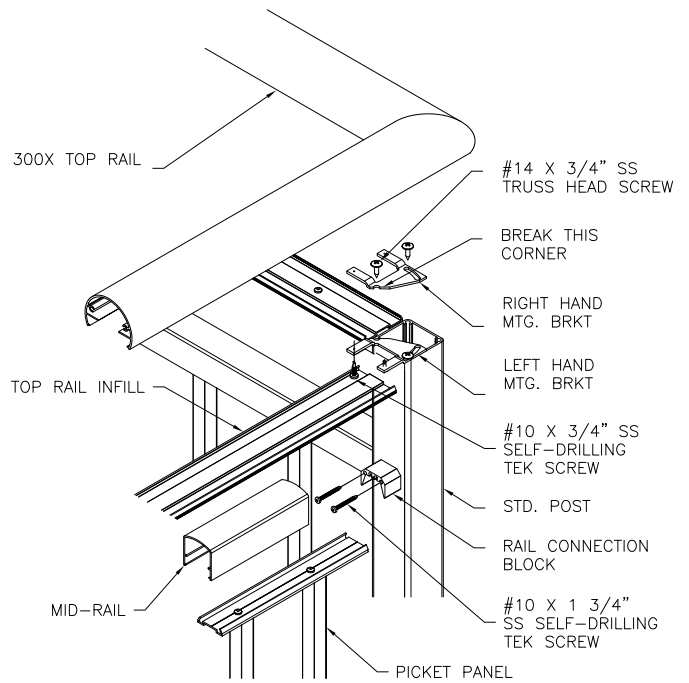
5500 SE ALEXANDER ST. HILLSBORO OR. 97123
 PH. 503-356-0959 FAX 503-356-8478



— TYPICAL ISOMETRIC
 NTS

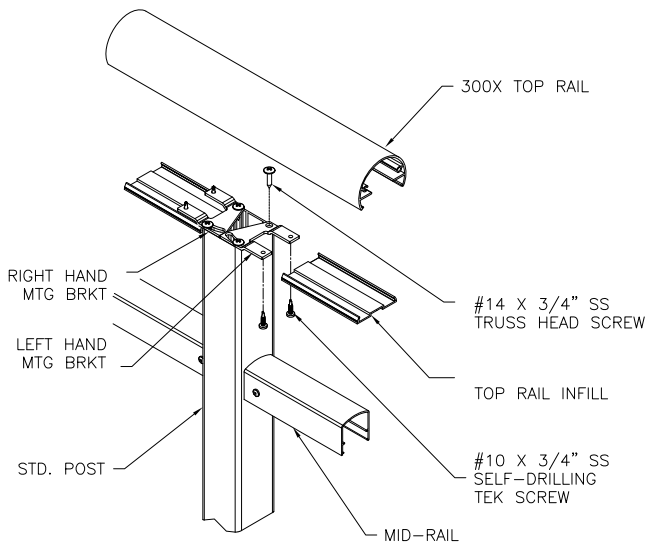


ⓐ END CONDITION DETAIL
 SCALE: 2.5



NOTE:
 FOR 90° MITERS, BREAK OFF
 CORNERS OF BRACKETS AND
 PLACE AS SHOWN

ⓑ TYP. CORNER CONN.
 SCALE: 2.5



Ⓐ TYP. TOP RAIL CONNECTION
 SCALE: 2.5

SERIES 200 & 300 PICKET RAILING CONNECTION DETAILS
 WITH MID-RAIL

www.aluminumrailing.com