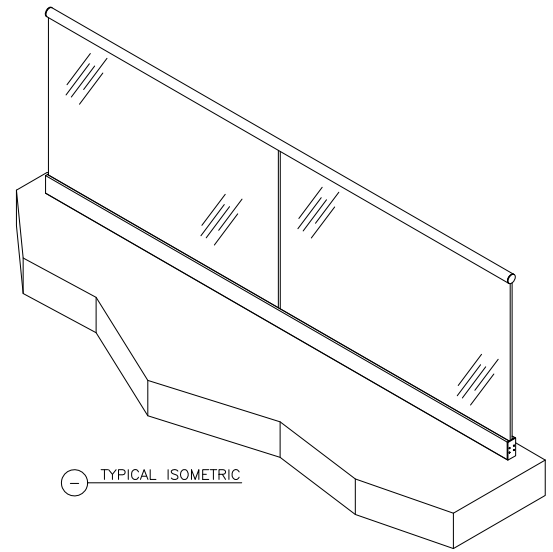




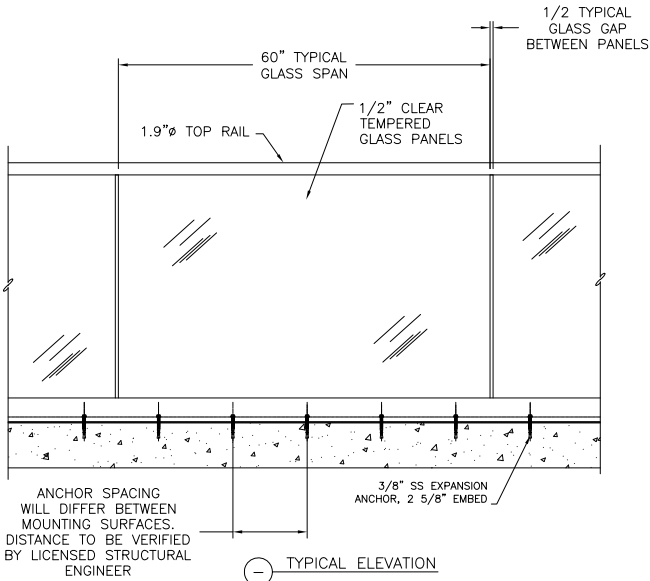
WORLD CLASS ARCHITECTURAL PRODUCTS
HANSEN
 ARCHITECTURAL
 SYSTEMS

5500 SE ALEXANDER ST. HILLSBORO OR. 97123
 PH. 503-356-0959 FAX 503-356-8478

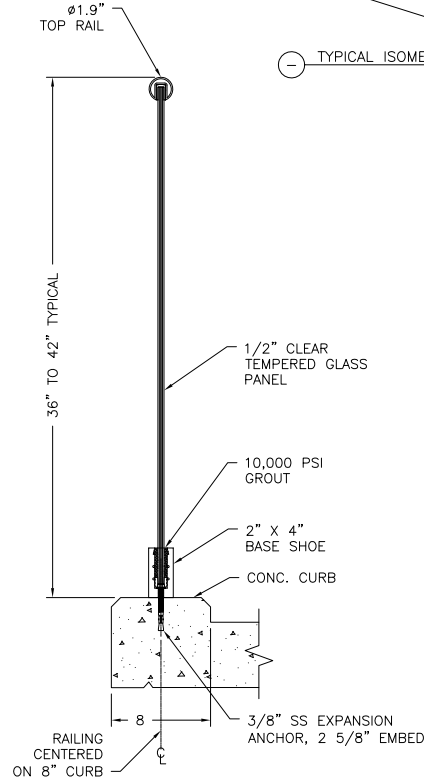
STRUCTURAL GLASS RAILING SYSTEM
 www.aluminumrailing.com



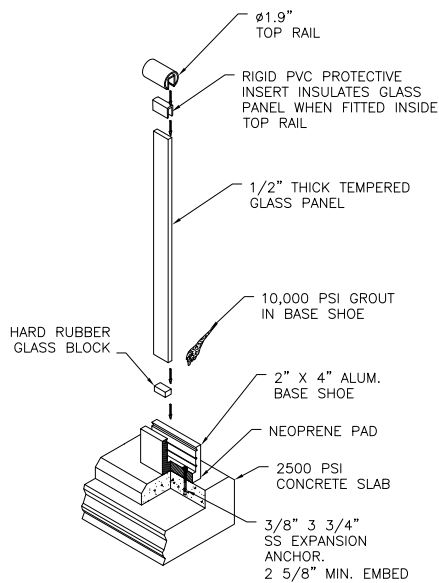
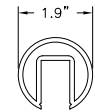
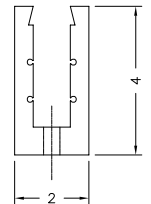
TYPICAL ISOMETRIC



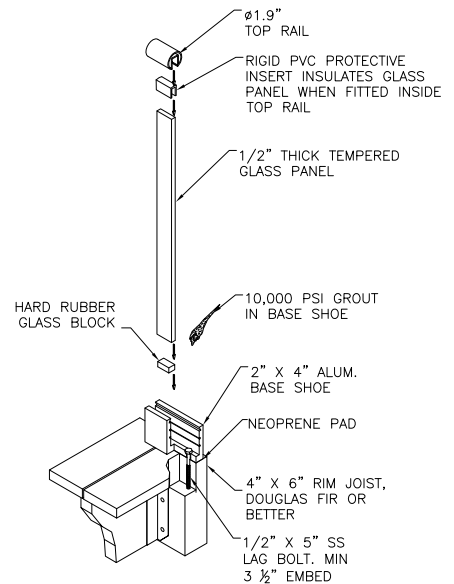
TYPICAL ELEVATION



TYP. SECTION ANCHOR MOUNT
 SCALE: 2



TYP. CONNECTION DETAILS
 TOP MOUNT (CONCRETE)



TYP. CONNECTION DETAILS
 TOP MOUNT (WOOD)