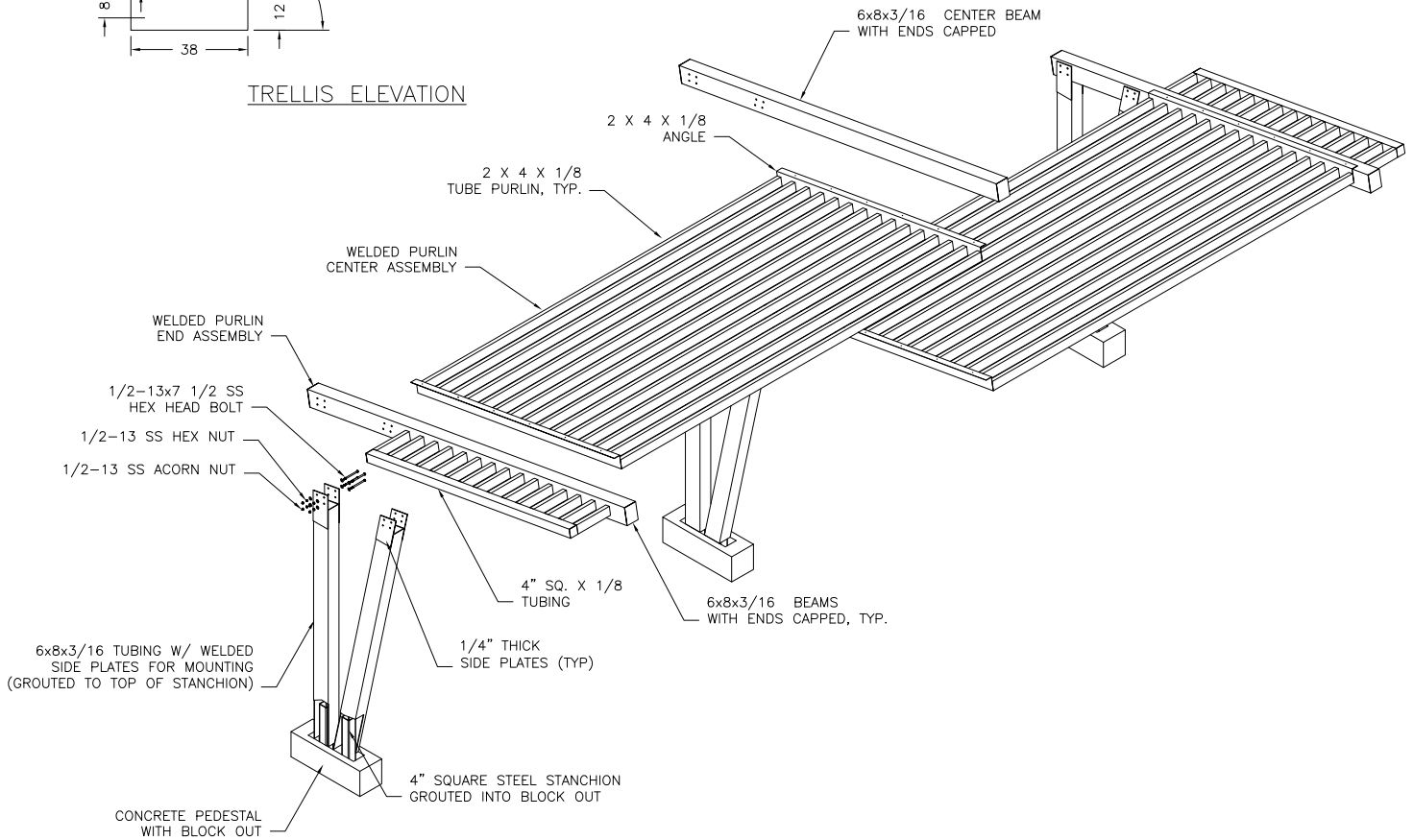


TRELLIS ELEVATION



CANTILEVER TRELLIS SYSTEM

www.aluma-shade.com

THE INFORMATION CONTAINED IN THIS DRAWING IS THE SOLE PROPERTY OF ALUMASHADE. ANY REPRODUCTION IN PART OR AS A WHOLE WITHOUT THE WRITTEN PERMISSION OF ALUMASHADE IS PROHIBITED.