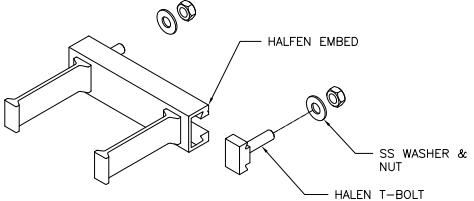
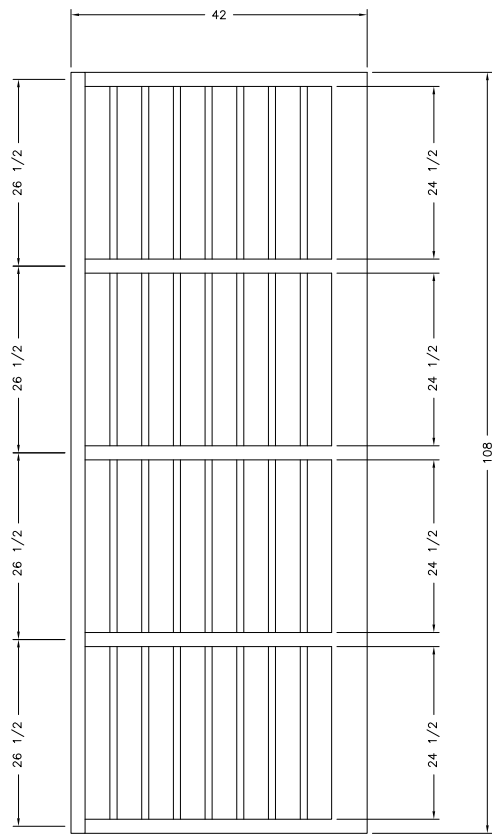


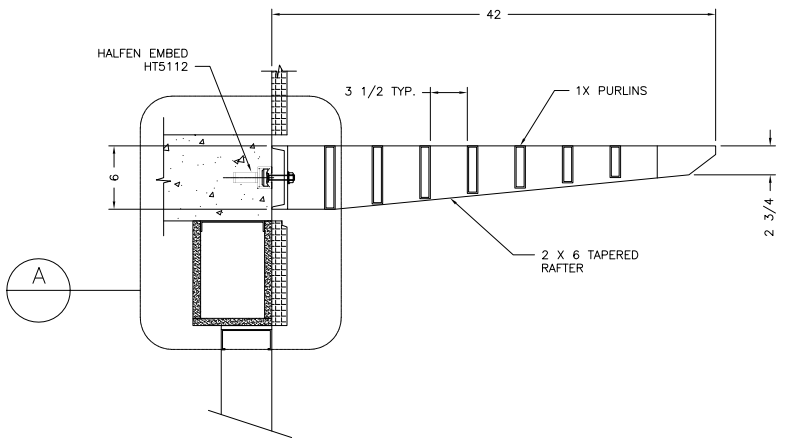
ASSEMBLY ISOMETRIC



HALFEN COMPONENTS



TRELLIS PLAN VIEW



MOUNTING DETAIL "A"

**HONUA KAI TRELLIS SYSTEM - STYLE 2**

[www.aluma-shade.com](http://www.aluma-shade.com)

**THE INFORMATION CONTAINED IN THIS DRAWING IS THE SOLE PROPERTY OF ALUMASHADE. ANY REPRODUCTION IN PART OR AS A WHOLE WITHOUT THE WRITTEN PERMISSION OF ALUMASHADE IS PROHIBITED.**