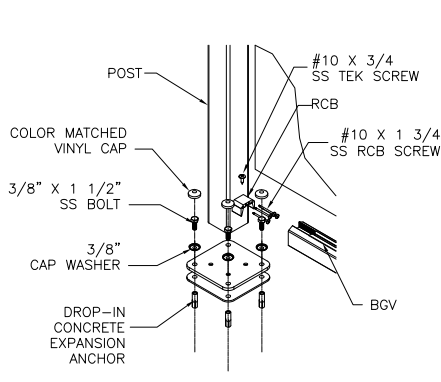
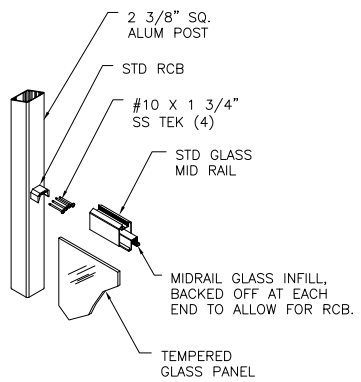


— TYPICAL SECTION

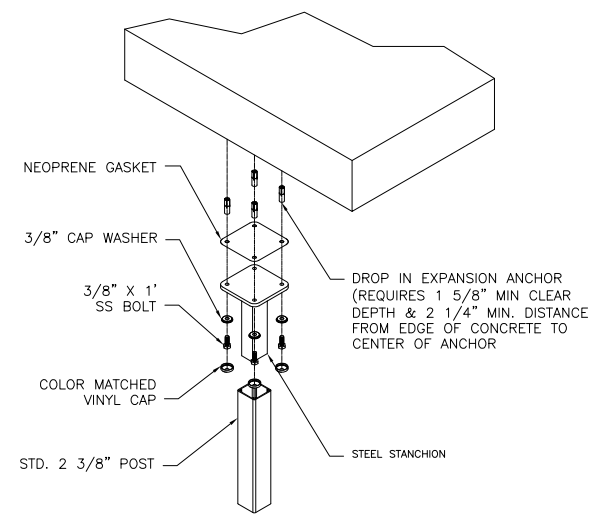
— TYPICAL ELEVATION



A SURFACE MOUNTING DETAIL



B CONNECTION DETAIL



C SURFACE MOUNTING DETAIL

METROPOLITAN STYLE PRIVACY SCREEN

www.aluma-shade.com

THE INFORMATION CONTAINED IN THIS DRAWING IS THE SOLE PROPERTY OF ALUMASHADE. ANY REPRODUCTION IN PART OR AS A WHOLE WITHOUT THE WRITTEN PERMISSION OF ALUMASHADE IS PROHIBITED.