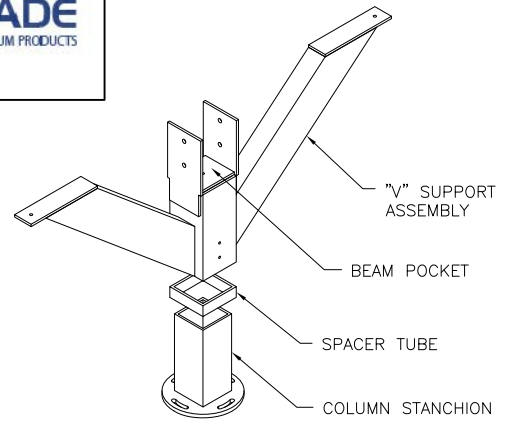


PURLIN BRACKET



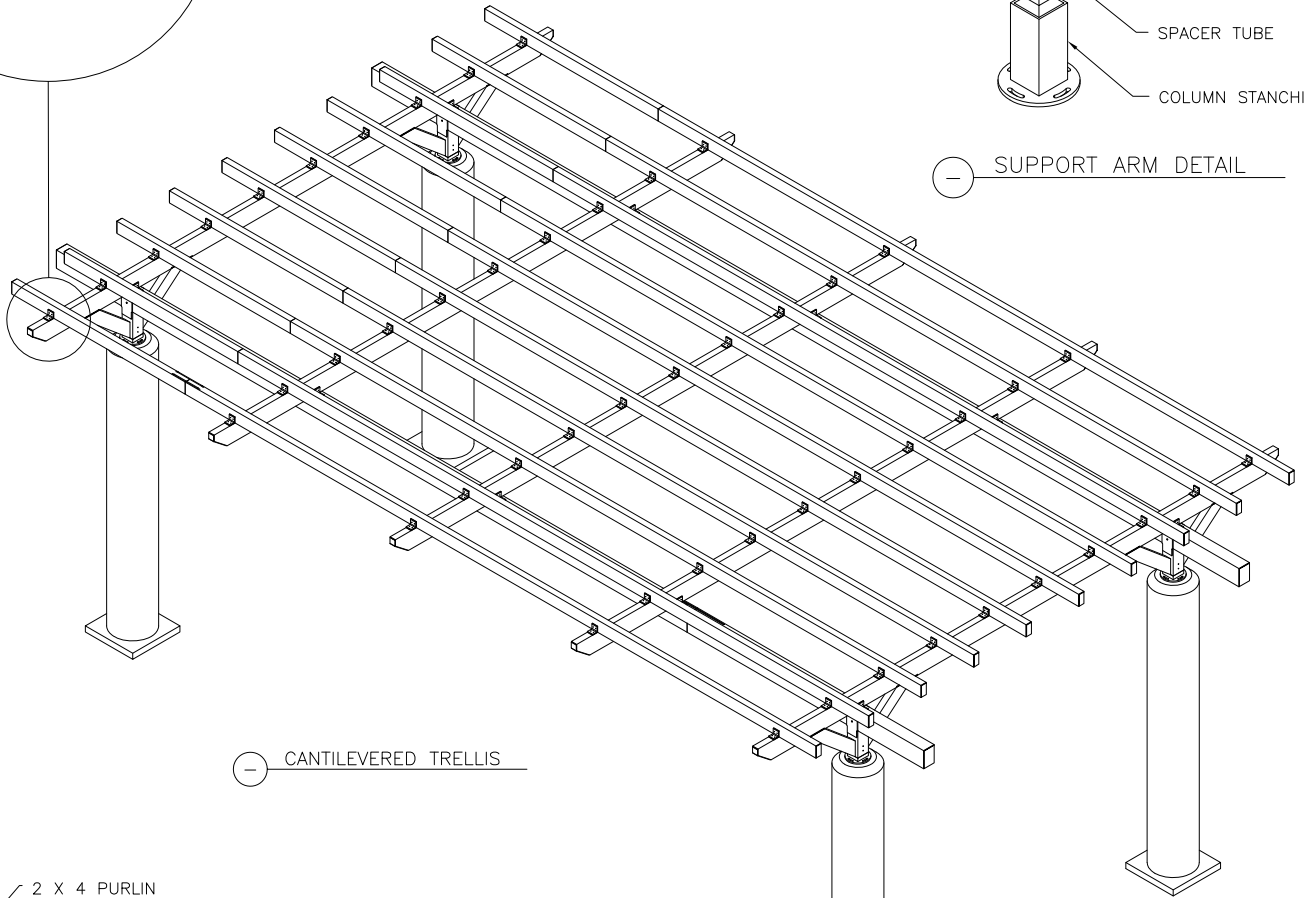
"V" SUPPORT ASSEMBLY

BEAM POCKET

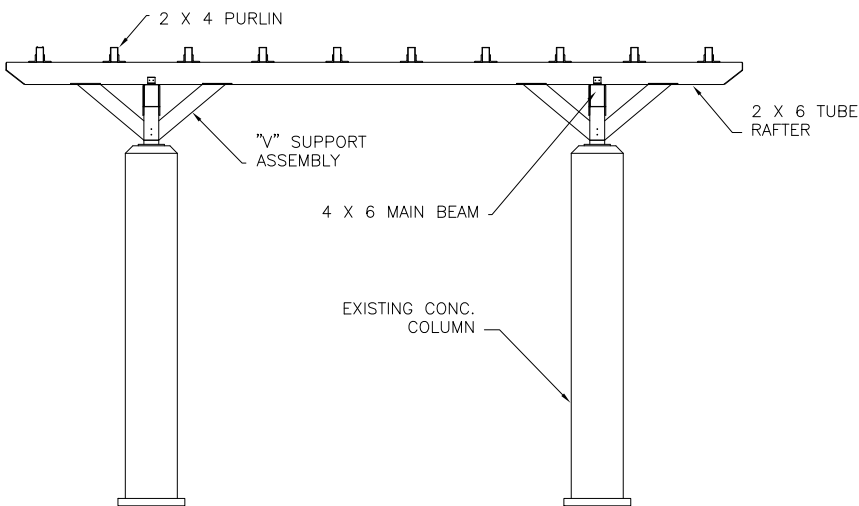
SPACER TUBE

COLUMN STANCHION

SUPPORT ARM DETAIL



CANTILEVERED TRELLIS



2 X 4 PURLIN

"V" SUPPORT ASSEMBLY

4 X 6 MAIN BEAM

EXISTING CONC. COLUMN

2 X 6 TUBE RAFTER

WEST OCEAN TRELLIS SYSTEM STYLE 3

www.aluma-shade.com

THE INFORMATION CONTAINED IN THIS DRAWING IS THE SOLE PROPERTY OF ALUMASHADE. ANY REPRODUCTION IN PART OR AS A WHOLE WITHOUT THE WRITTEN PERMISSION OF ALUMASHADE IS PROHIBITED.