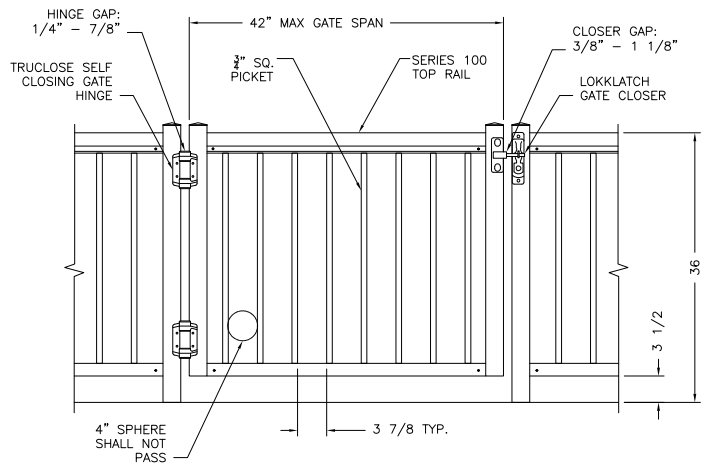
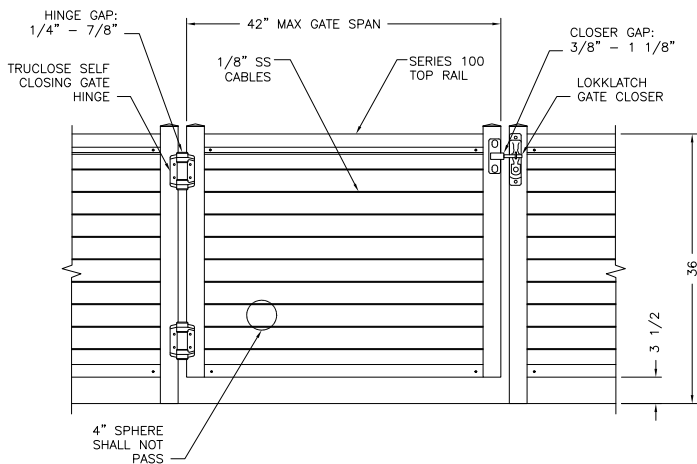


CLEARVUE RAILING

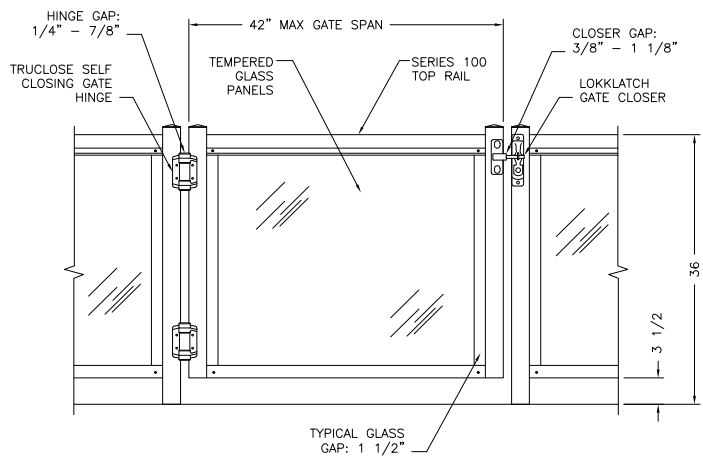
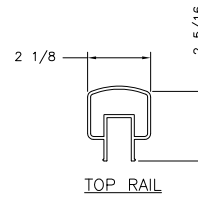
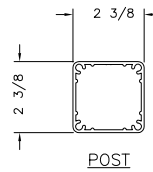
A DIVISION OF HANSEN ARCHITECTURAL SYSTEMS INC.



SERIES 100 GATE ELEVATION
SQ. PICKET INFILL



SERIES 100 GATE ELEVATION
1/8" SS CABLE INFILL



SERIES 100 GATE ELEVATION
GLASS INFILL

SERIES 100 PEDESTRIAN GATES

5500 SE ALEXANDER ST. HILLSBORO OR. 97123

PH. 503-356-0959 FAX 503-356-8478

www.aluminumrailing.com