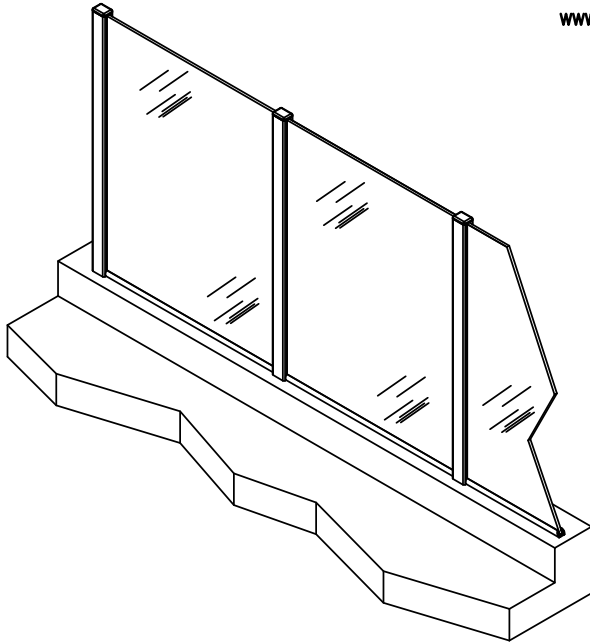


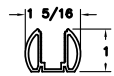


WORLD CLASS ARCHITECTURAL PRODUCTS
HANSEN
 ARCHITECTURAL
 SYSTEMS

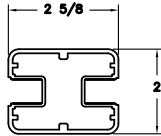
4860 NW SHUTE ROAD
 HILLSBORO, OR 97124
 PHONE 503.358.0959
 FAX 503.358.8478
 WWW.ALUMINUMRAILING.COM



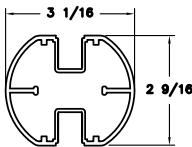
4 ISOMETRIC VIEW
 NTS



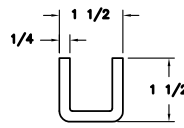
BOTTOM RAIL



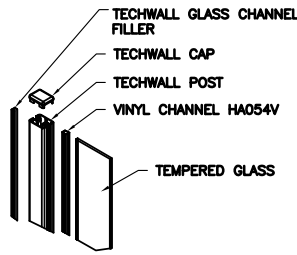
GLASS WALL POST - SQUARE



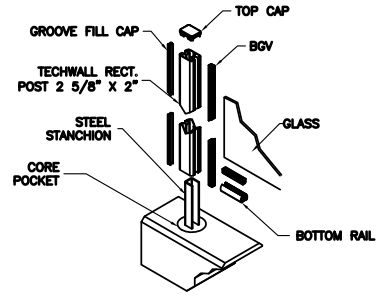
GLASS WALL POST - ROUND



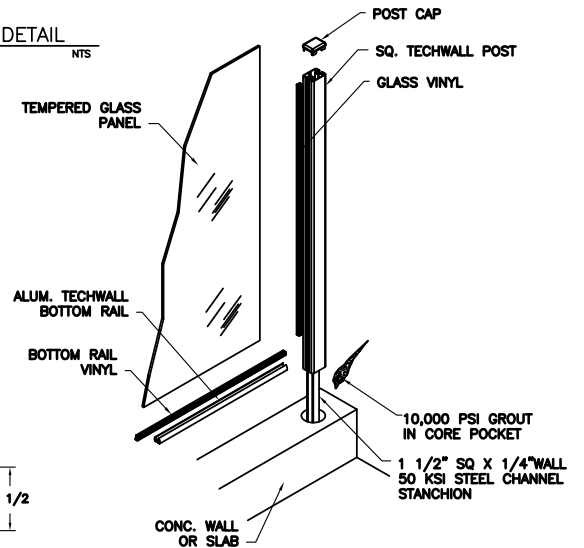
STANCHION



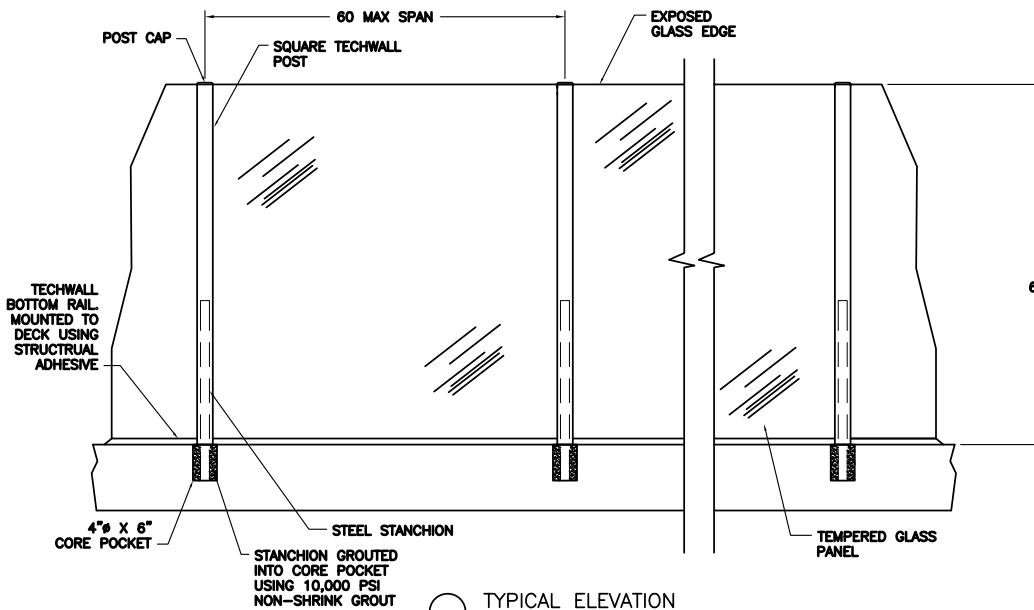
END COND. DETAIL
 NTS



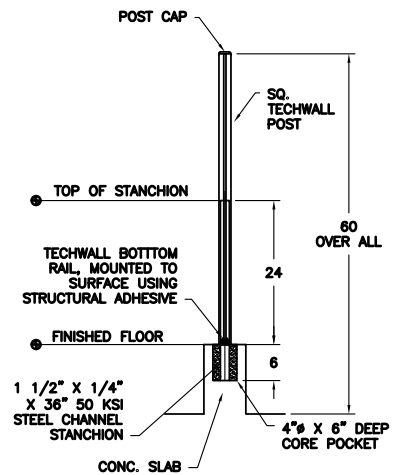
GLASS WALL SURFACE SET BOTTOM RAIL



EXPLODED ISOMETRIC
 NTS



TYPICAL ELEVATION
 NTS



TYPICAL SECTION
 NTS

GLASS WALL SYSTEM

THE INFORMATION CONTAINED IN THIS DRAWING IS THE SOLE PROPERTY OF HANSEN ARCHITECTURAL SYSTEMS, INC. ANY REPRODUCTION IN PART OR AS A WHOLE WITHOUT THE WRITTEN PERMISSION OF HANSEN ARCHITECTURAL SYSTEMS, INC. IS PROHIBITED.