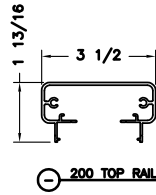
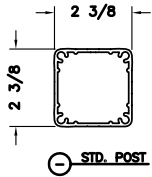


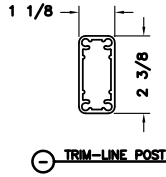
300 TOP RAIL



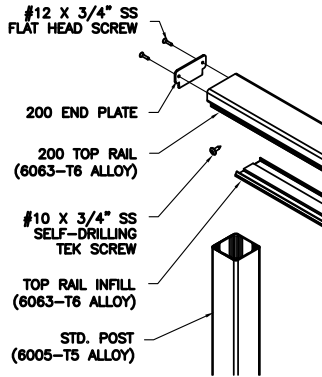
200 TOP RAIL



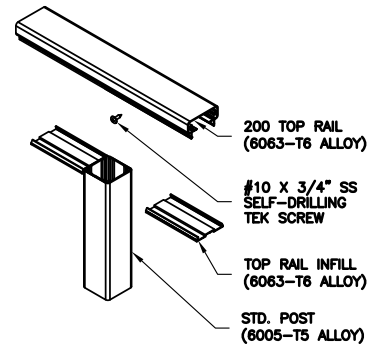
STD. POST



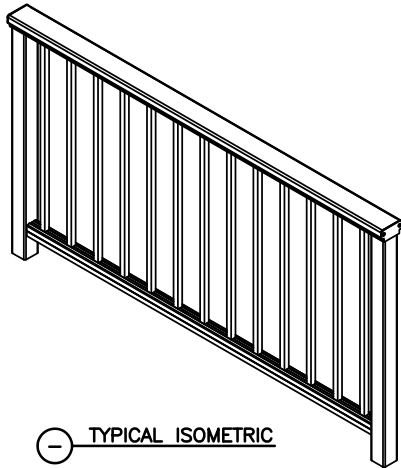
TRIM-LINE POST



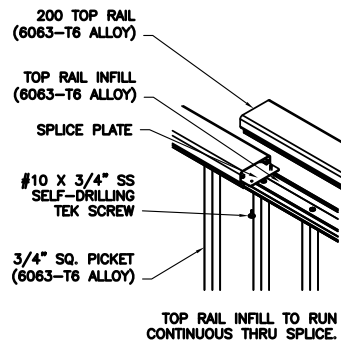
END CONDITION DETAIL



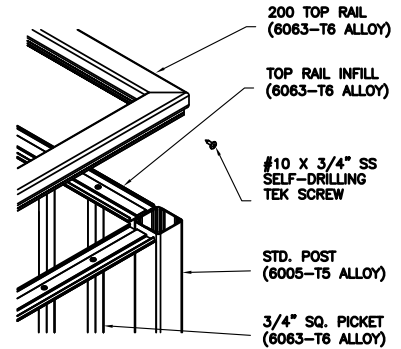
TYP. TOP RAIL CONNECTION



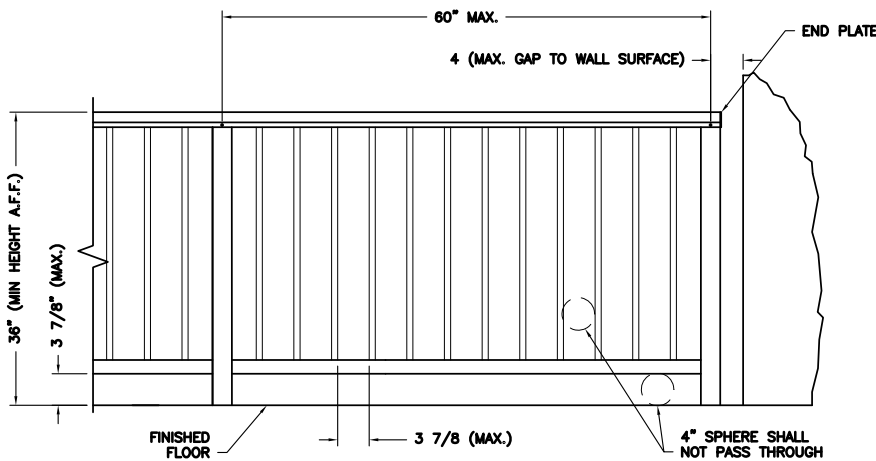
TYPICAL ISOMETRIC



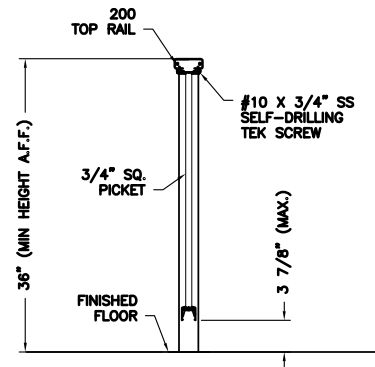
SPLICE PLATE DETAIL



TYP. CORNER CONN.



TYPICAL ELEVATION



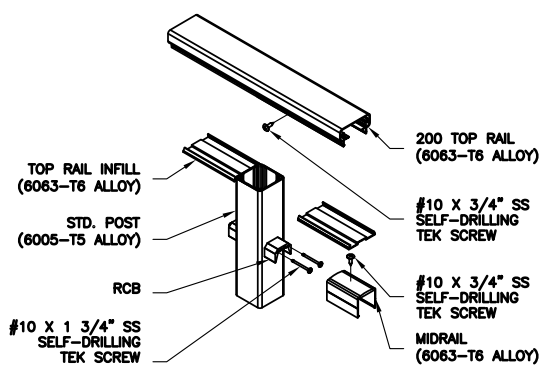
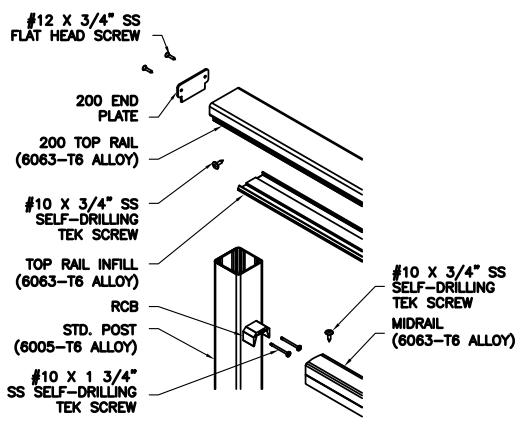
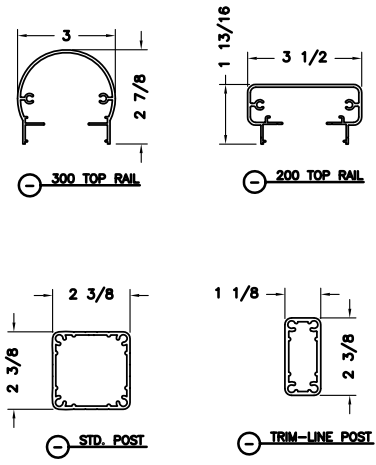
TYPICAL SECTION

PICKET RAILING SYSTEM

THE INFORMATION CONTAINED IN THIS DRAWING IS THE SOLE PROPERTY OF HANSEN ARCHITECTURAL SYSTEMS, INC. ANY REPRODUCTION IN PART OR AS A WHOLE WITHOUT THE WRITTEN PERMISSION OF HANSEN ARCHITECTURAL SYSTEMS, INC. IS PROHIBITED.

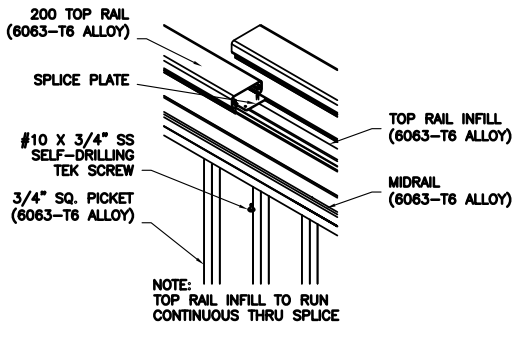
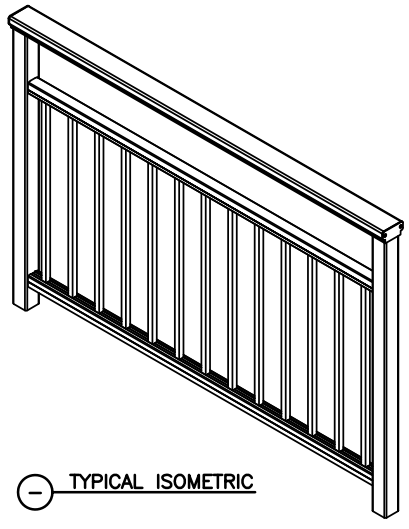
CLEARVUE RAILING

A DIVISION OF HANSEN ARCHITECTURAL SYSTEMS INC.



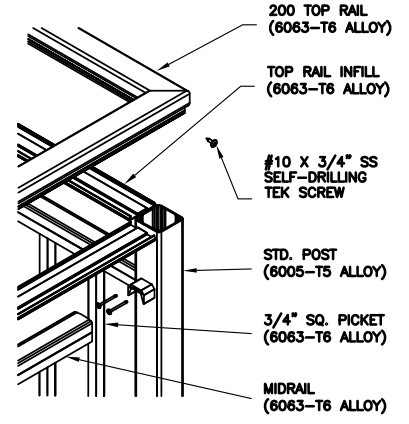
END CONDITION DETAIL

TYP. TOP RAIL CONNECTION

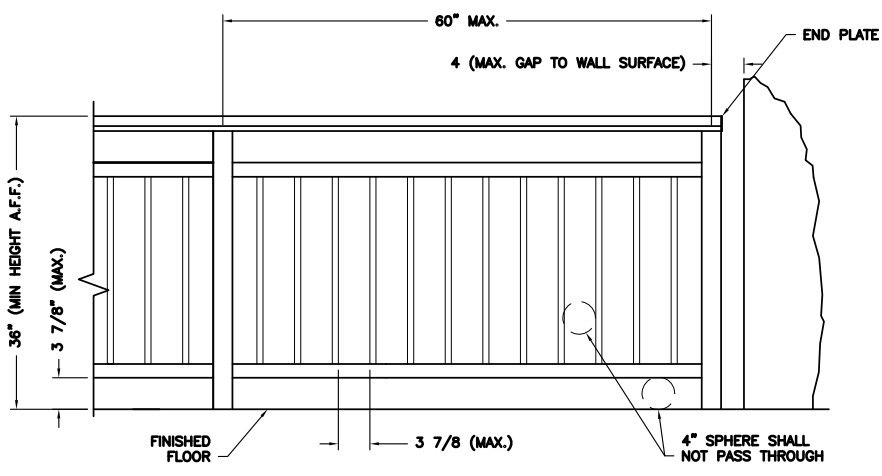


NOTE:
TOP RAIL INFILL TO RUN
CONTINUOUS THRU SPLICE

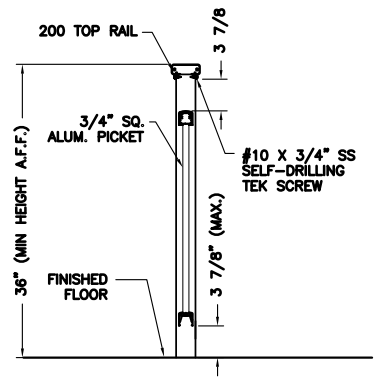
SPLICE PLATE DETAIL



TYP. CORNER CONN.



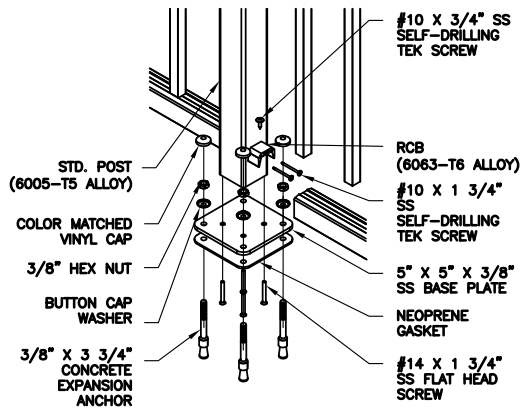
TYPICAL ELEVATION



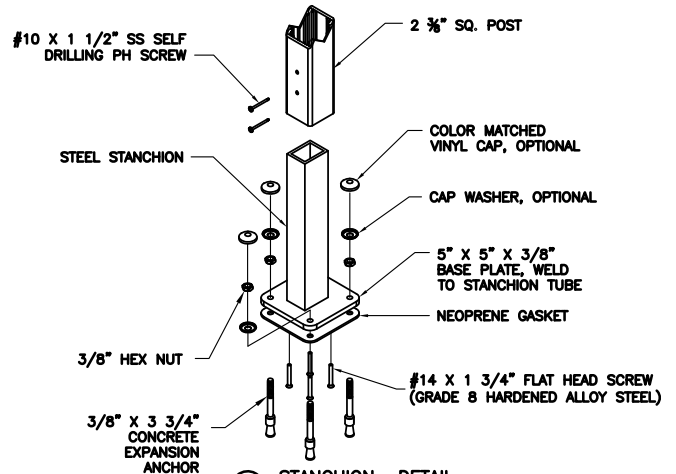
TYPICAL SECTION

PICKET RAILING SYSTEM - MID RAIL OPTION

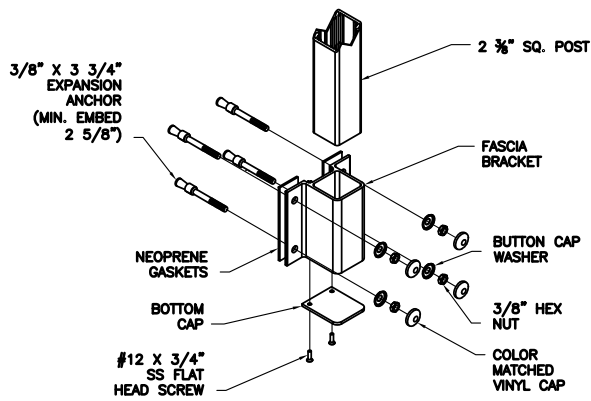
THE INFORMATION CONTAINED IN THIS DRAWING IS THE SOLE PROPERTY OF HANSEN ARCHITECTURAL SYSTEMS, INC. ANY REPRODUCTION IN PART OR AS A WHOLE WITHOUT THE WRITTEN PERMISSION OF HANSEN ARCHITECTURAL SYSTEMS, INC. IS PROHIBITED.



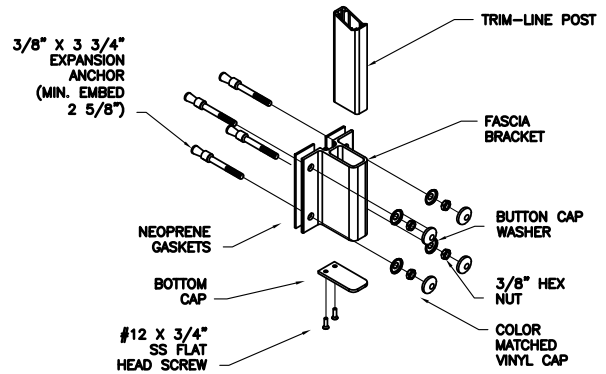
— SURFACE MOUNTING DETAIL



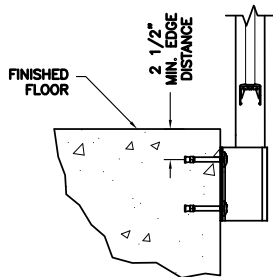
— STANCHION DETAIL



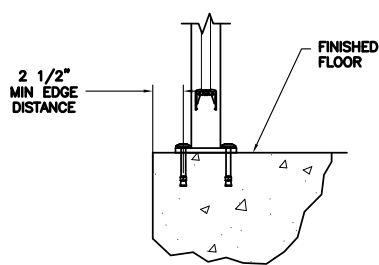
— FASCIA MOUNTING DETAIL



— FASCIA MOUNTING DETAIL



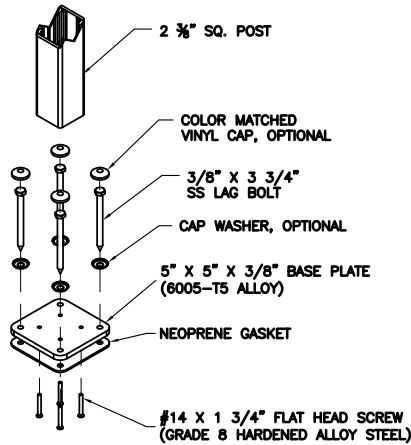
— FASCIA MOUNT



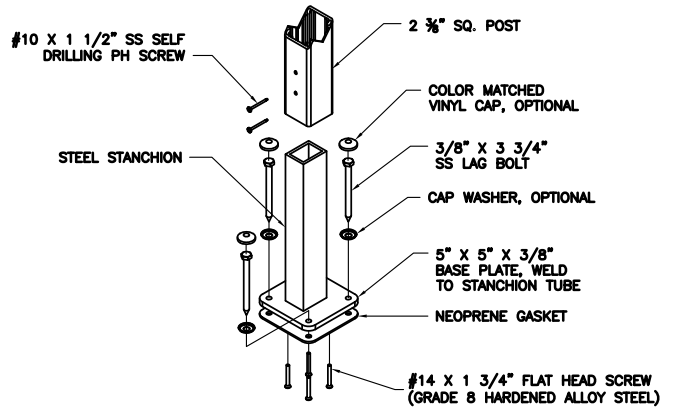
— SURFACE MOUNT

PICKET RAILING SYSTEM - CONCRETE MOUNT

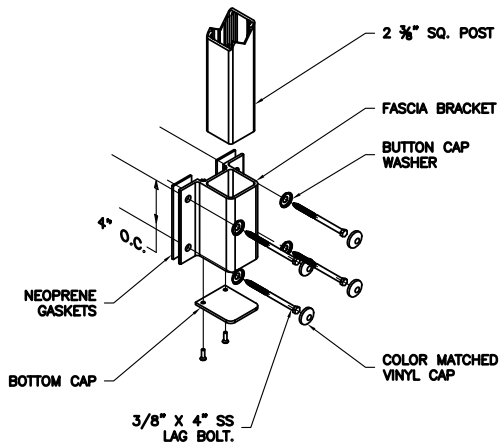
THE INFORMATION CONTAINED IN THIS DRAWING IS THE SOLE PROPERTY OF HANSEN ARCHITECTURAL SYSTEMS, INC. ANY REPRODUCTION IN PART OR AS A WHOLE WITHOUT THE WRITTEN PERMISSION OF HANSEN ARCHITECTURAL SYSTEMS, INC. IS PROHIBITED.



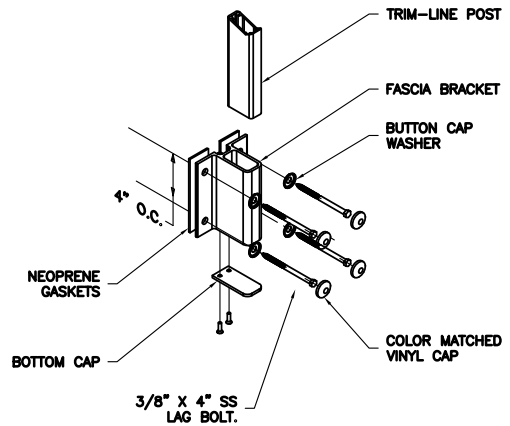
POST CONNECTION DETAIL
WOOD DECK



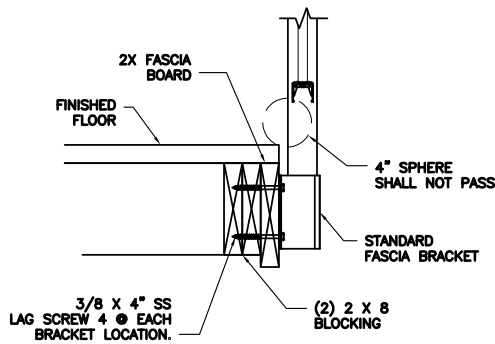
STANCHION DETAIL



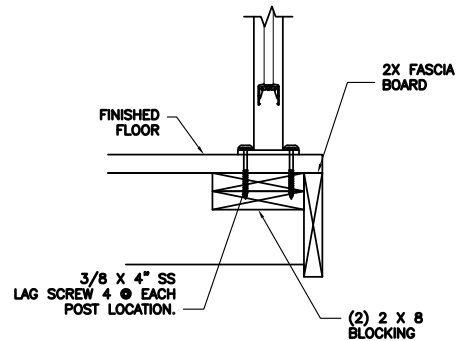
FASCIA MOUNTING DETAIL
WOOD DECK



FASCIA MOUNTING DETAIL
WOOD DECK



FASCIA MOUNT
WOOD CONDITION



SURFACE MOUNT
WOOD CONDITION

PICKET RAILING SYSTEM - WOOD MOUNT

THE INFORMATION CONTAINED IN THIS DRAWING IS THE SOLE PROPERTY OF HANSEN ARCHITECTURAL SYSTEMS, INC. ANY REPRODUCTION IN PART OR AS A WHOLE WITHOUT THE WRITTEN PERMISSION OF HANSEN ARCHITECTURAL SYSTEMS, INC. IS PROHIBITED.