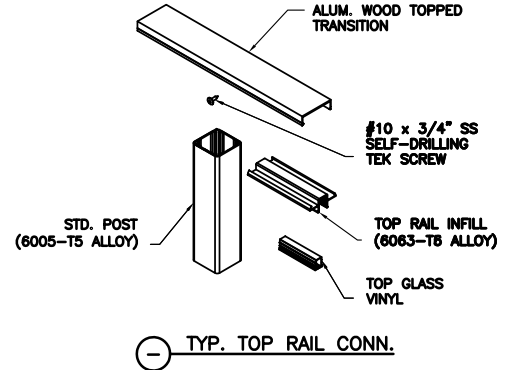
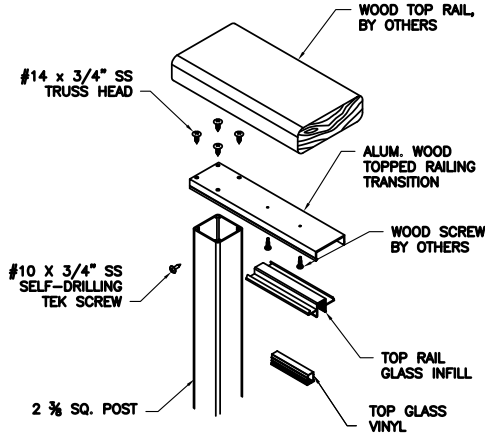
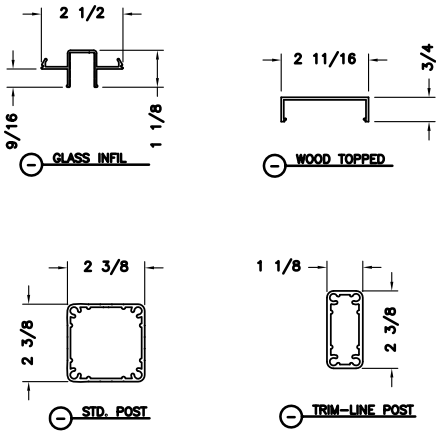


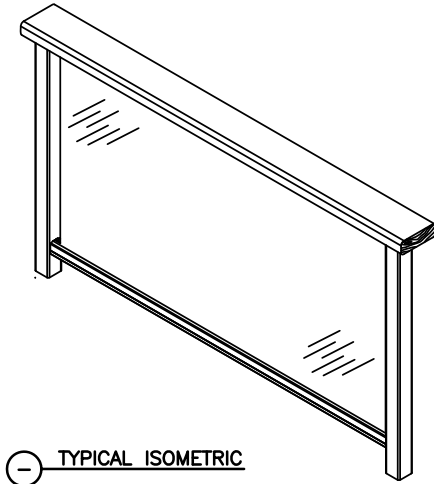
# CLEARVUE RAILING

A DIVISION OF HANSEN ARCHITECTURAL SYSTEMS INC.

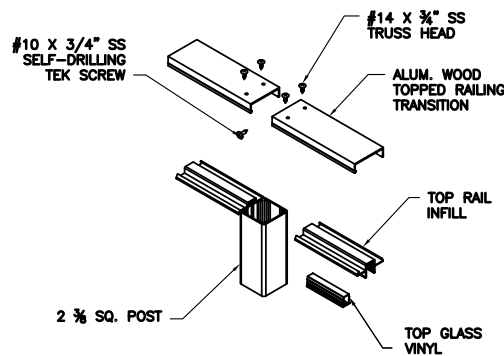


TYP. TOP RAIL CONNECTION

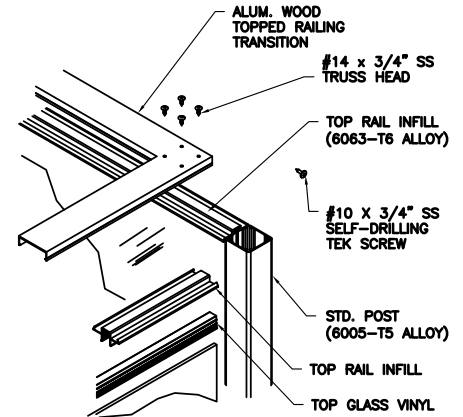
TYP. TOP RAIL CONN.



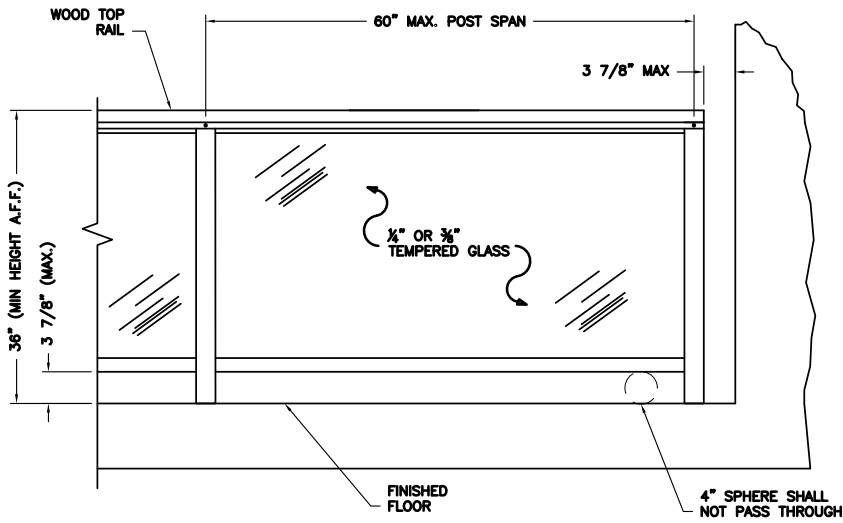
TYPICAL ISOMETRIC



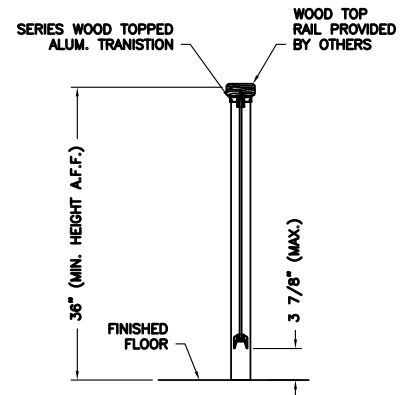
TYP. TOP RAIL SPLICE



TYP. CORNER CONN.



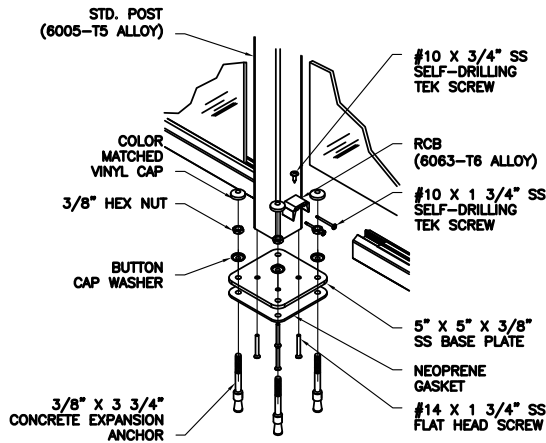
TYPICAL ELEVATION



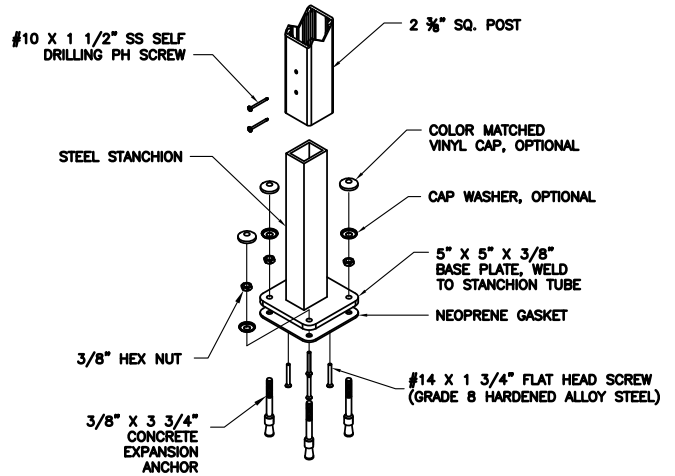
TYPICAL SECTION

## PICKET RAILING SYSTEM

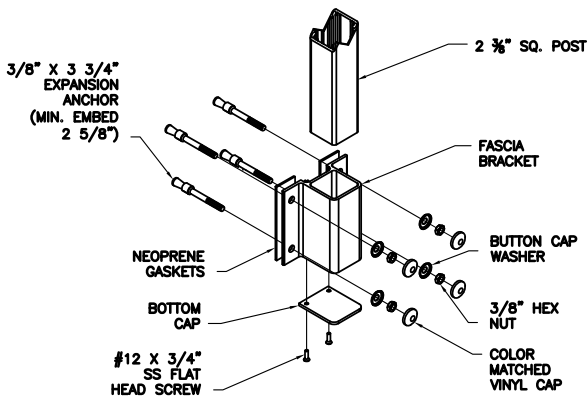
THE INFORMATION CONTAINED IN THIS DRAWING IS THE SOLE PROPERTY OF HANSEN ARCHITECTURAL SYSTEMS, INC. ANY REPRODUCTION IN PART OR AS A WHOLE WITHOUT THE WRITTEN PERMISSION OF HANSEN ARCHITECTURAL SYSTEMS, INC. IS PROHIBITED.



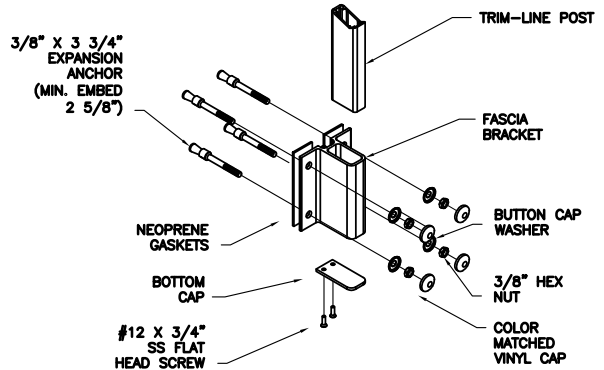
BASE PLATE MTG DETAIL  
1 1/2" = 1"



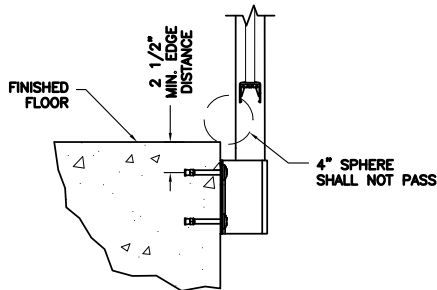
STANCHION DETAIL



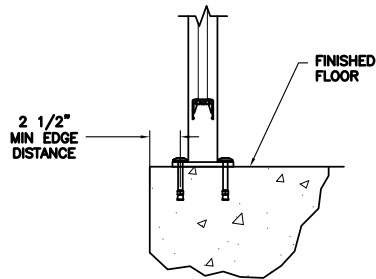
FASCIA MOUNTING DETAIL



FASCIA MOUNTING DETAIL



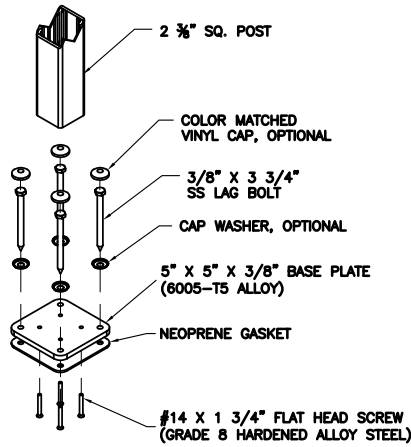
FASCIA MOUNT



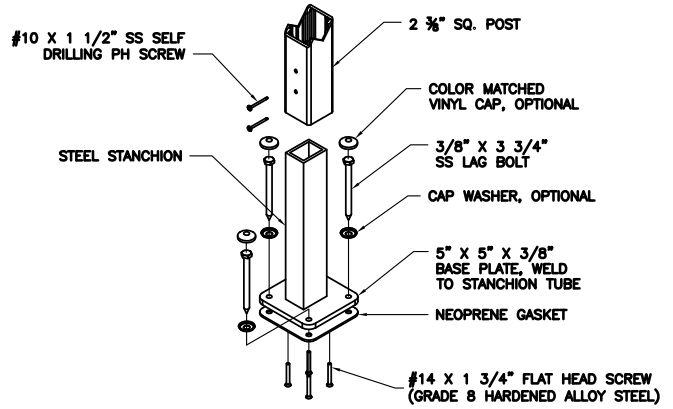
SURFACE MOUNT

## PICKET RAILING SYSTEM - CONCRETE MOUNT

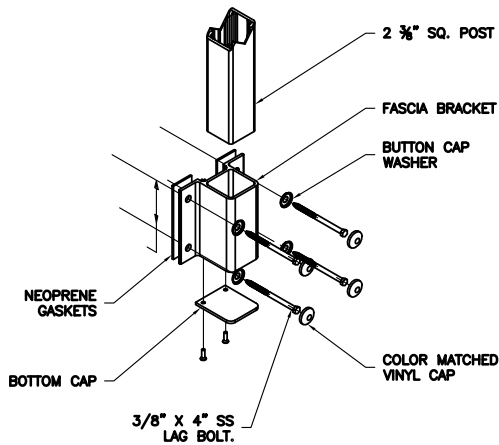
THE INFORMATION CONTAINED IN THIS DRAWING IS THE SOLE PROPERTY OF HANSEN ARCHITECTURAL SYSTEMS, INC. ANY REPRODUCTION IN PART OR AS A WHOLE WITHOUT THE WRITTEN PERMISSION OF HANSEN ARCHITECTURAL SYSTEMS, INC. IS PROHIBITED.



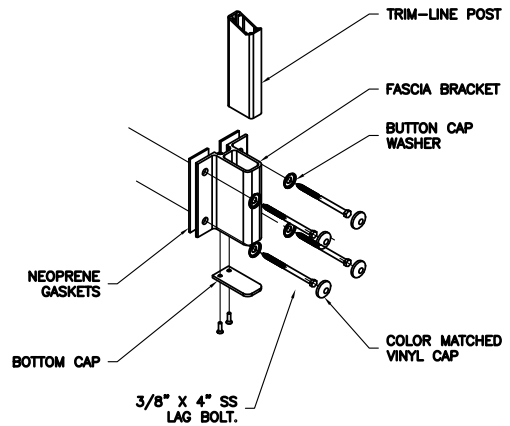
— POST CONNECTION DETAIL  
WOOD DECK



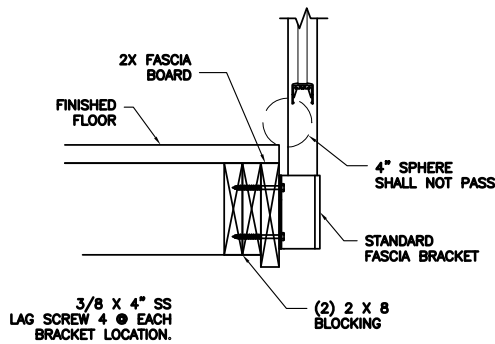
— STANCHION DETAIL



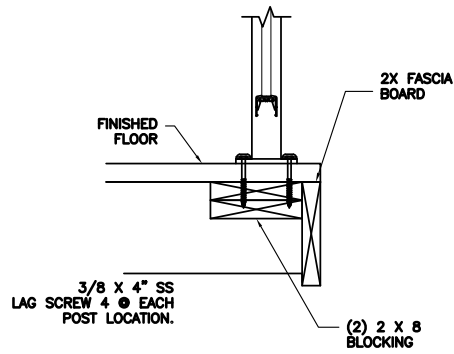
— FASCIA MOUNTING DETAIL  
WOOD DECK



— FASCIA MOUNTING DETAIL  
WOOD DECK



— FASCIA MOUNT  
WOOD CONDITION



— SURFACE MOUNT  
WOOD CONDITION

## PICKET RAILING SYSTEM - WOOD MOUNT

THE INFORMATION CONTAINED IN THIS DRAWING IS THE SOLE PROPERTY OF HANSEN ARCHITECTURAL SYSTEMS, INC. ANY REPRODUCTION IN PART OR AS A WHOLE WITHOUT THE WRITTEN PERMISSION OF HANSEN ARCHITECTURAL SYSTEMS, INC. IS PROHIBITED.