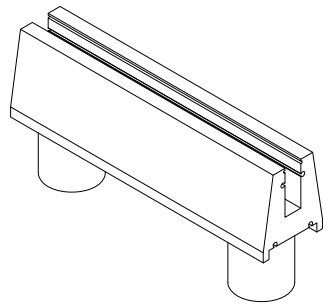
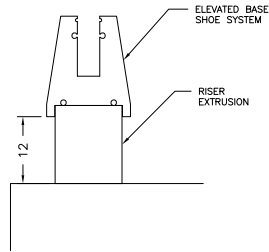


# CLEARVUE RAILING

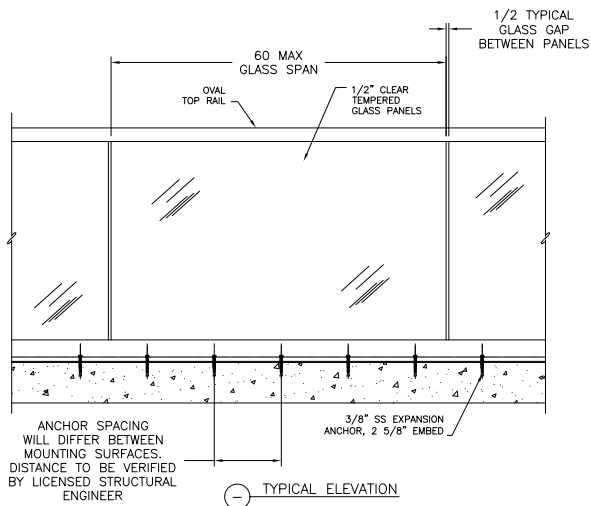
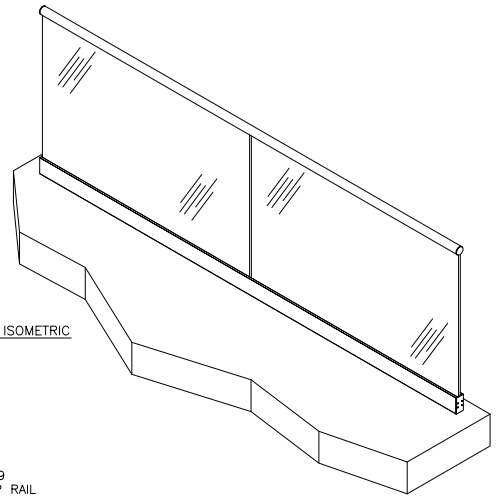
A DIVISION OF HANSEN ARCHITECTURAL SYSTEMS INC.



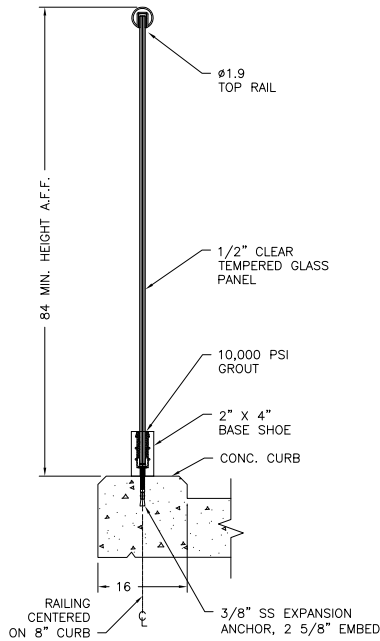
— ELEVATED BASE SHOE OPTION



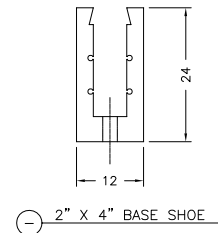
— TYPICAL ISOMETRIC



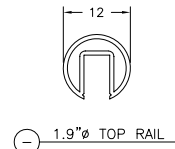
— TYPICAL ELEVATION



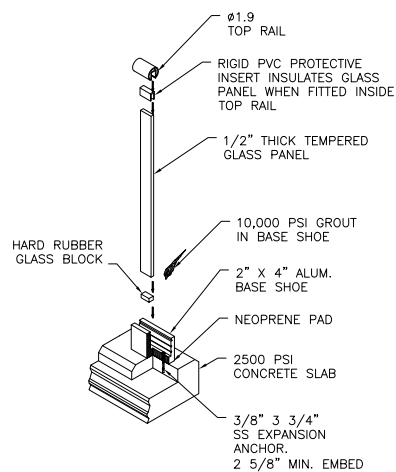
— TYP. SECTION ANCHOR MOUNT  
SCALE: 2



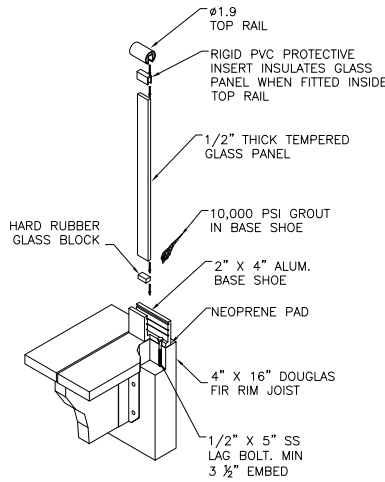
— 2" X 4" BASE SHOE



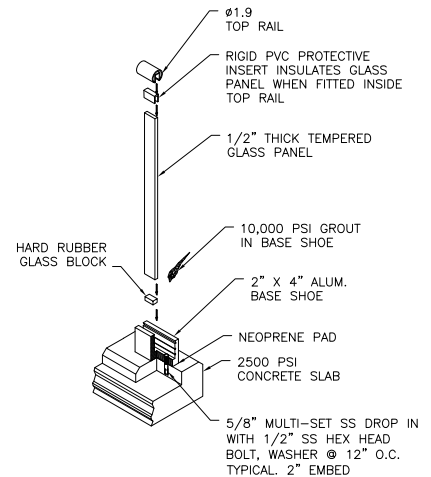
— 1.9" Ø TOP RAIL



— TYP. CONNECTION DETAILS  
CONC. MOUNT WITH WEDGE ANCHORS



— TYP. CONNECTION DETAILS  
WOOD MOUNT WITH LAG SCREWS



— TYP. CONNECTION DETAILS  
CONC. MOUNT WITH DROP-IN ANCHORS

## STRUCTURAL GLASS RAILING SYSTEM

www.aluminumrailing.com

**THE INFORMATION CONTAINED IN THIS DRAWING IS THE SOLE PROPERTY OF HANSEN ARCHITECTURAL SYSTEMS, INC. ANY REPRODUCTION IN PART OR AS A WHOLE WITHOUT THE WRITTEN PERMISSION OF HANSEN ARCHITECTURAL SYSTEMS, INC. IS PROHIBITED.**