

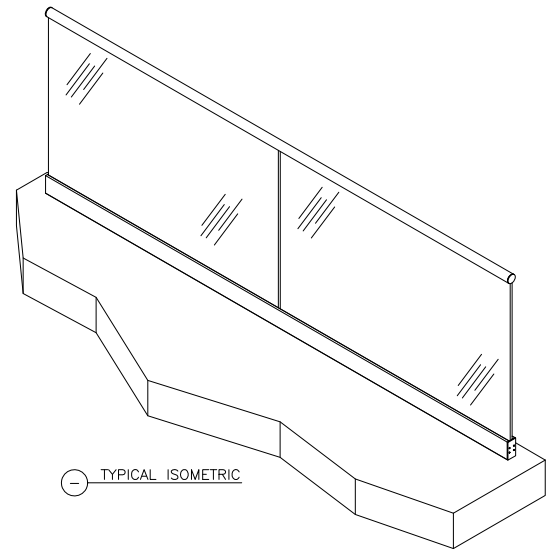


WORLD CLASS ARCHITECTURAL PRODUCTS  
**HANSEN**  
 ARCHITECTURAL  
 SYSTEMS

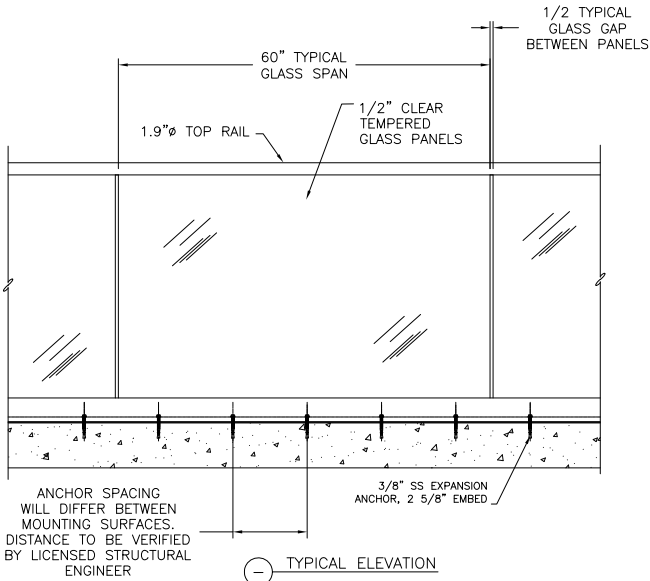
5500 SE ALEXANDER ST. HILLSBORO OR. 97123  
 PH. 503-356-0959 FAX 503-356-8478

# STRUCTURAL GLASS RAILING SYSTEM

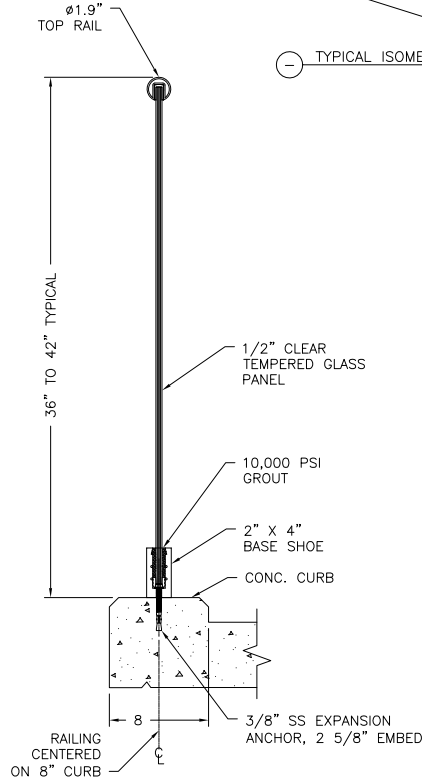
www.aluminumrailing.com



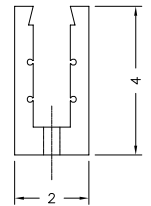
TYPICAL ISOMETRIC



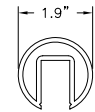
TYPICAL ELEVATION



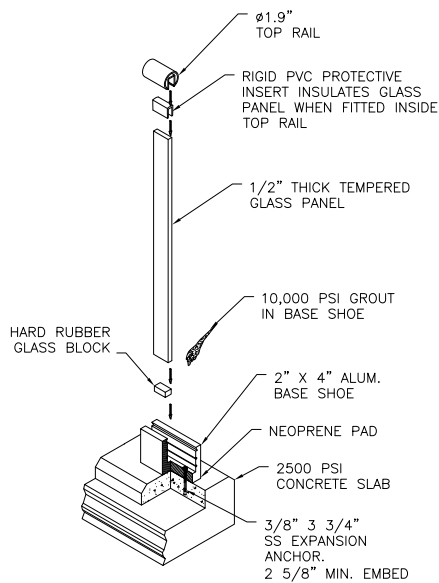
TYP. SECTION ANCHOR MOUNT  
 SCALE: 2



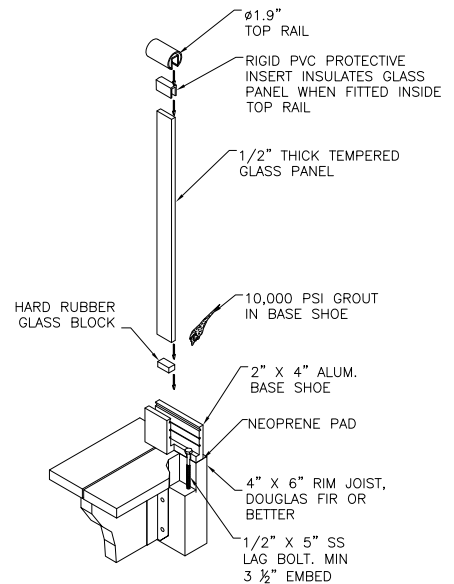
2" X 4" BASE SHOE



1.9"Ø TOP RAIL



TYP. CONNECTION DETAILS  
 TOP MOUNT (CONCRETE)



TYP. CONNECTION DETAILS  
 TOP MOUNT (WOOD)