

HARDWARE PARTS LIST

PART #	NAME	QTY
16-18	#14x3/4" SS HH TEK SCREW	28
60-17	BOLT 1/4-20x5/8 SS 316	32
60-21	HEX NUT 1/4-20	32
60-10	RUBBER WASHER	8
16-07	#10x3/4" SS FLAT HEAD SCREW	8
16-01	3/8"x3" SS LAG SCREW	8
16-14	1/4"x3/4" SS TRUSS HEAD SCREW	120
16-08	#14"x1 3/4" SS FLAT HEAD SCREW	8
16-32	BUTTON CAP (COLOR MATCHED)	44
16-25	1/4" ID BUTTON CAP WASHER	28
16-26	3/8" ID BUTTON CAP WASHER	16

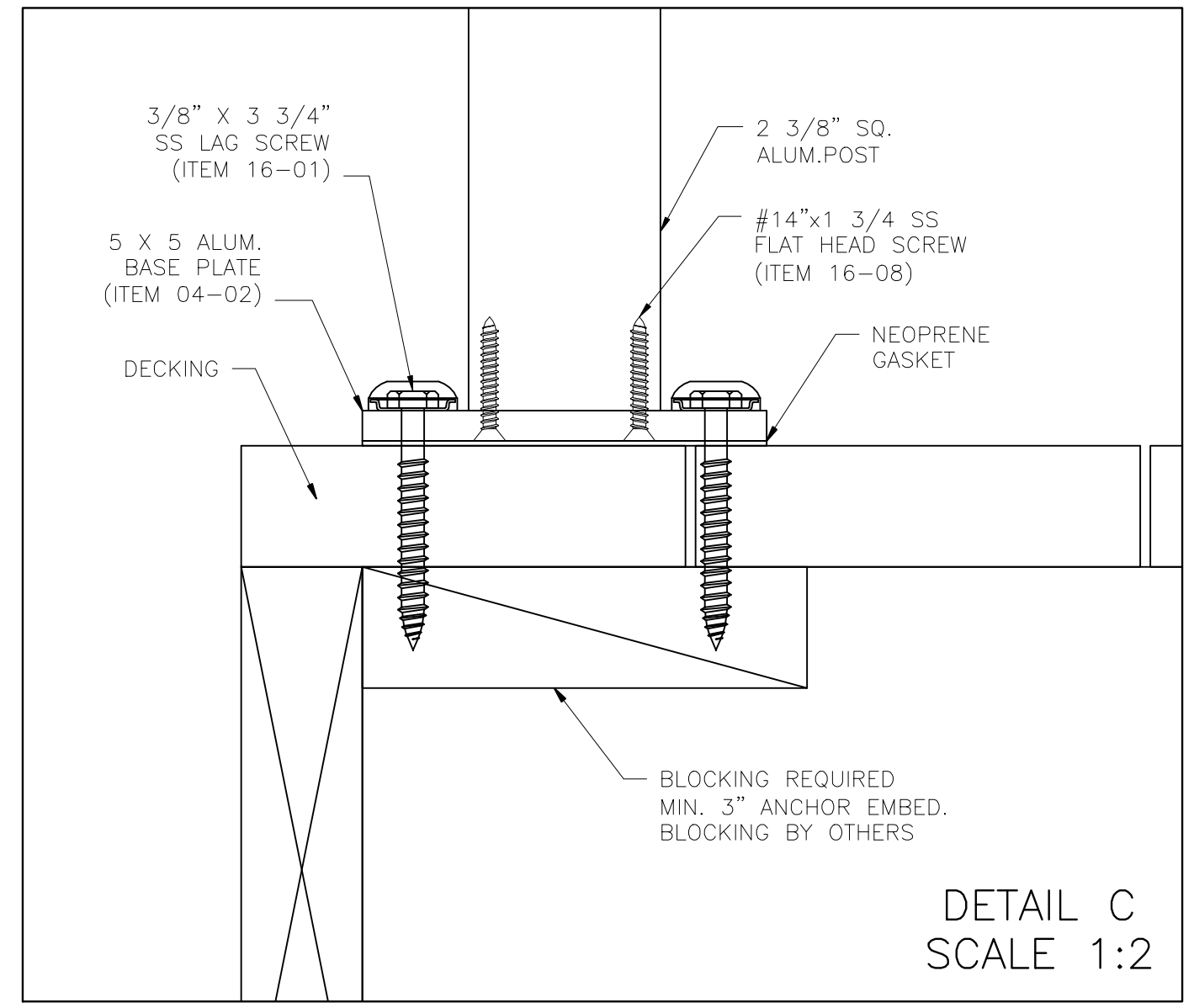
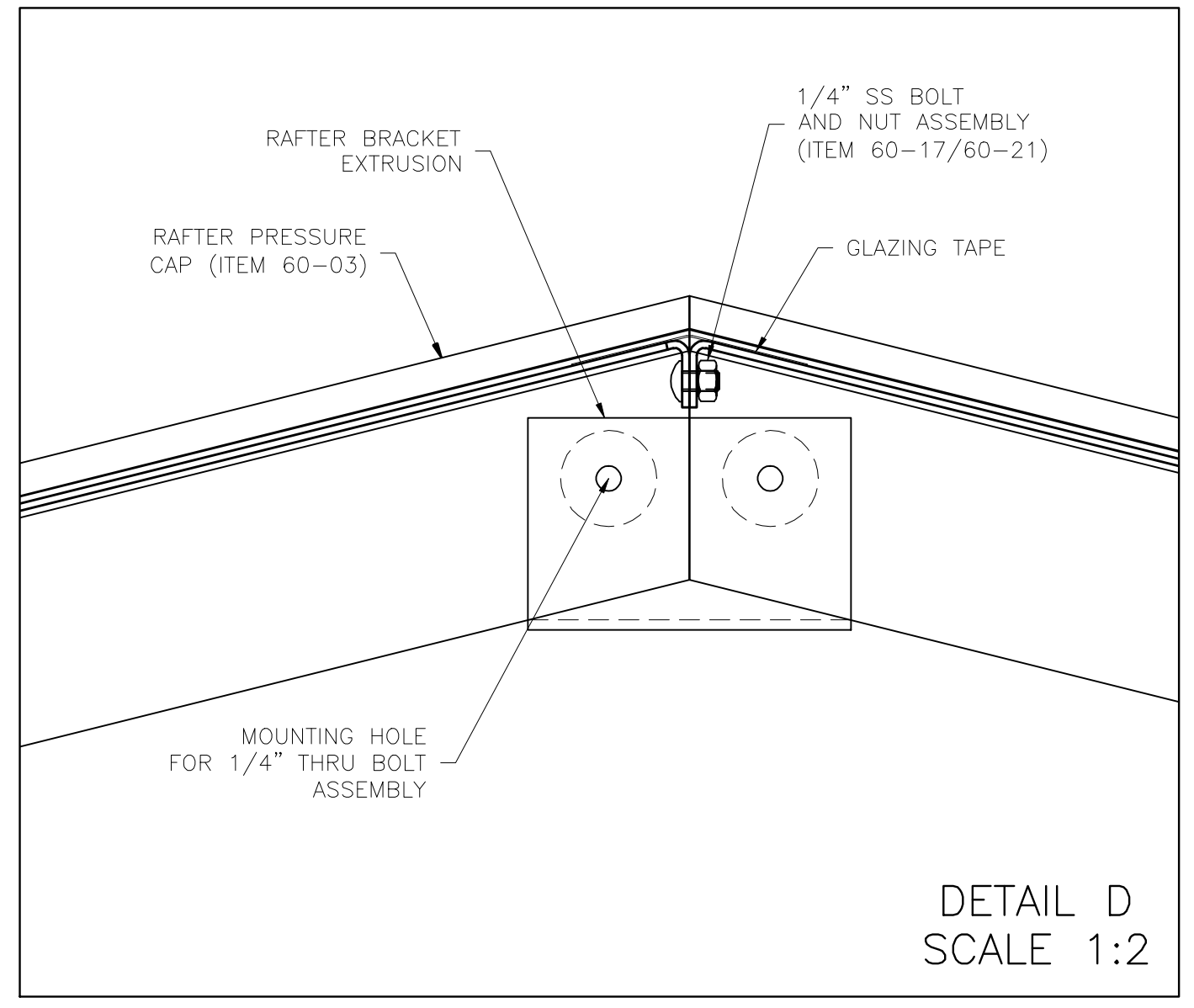
SMALL PARTS LIST

PART #	NAME	QTY
38-13	3x5 NEOPRENE GASKET 1/16 THICK	0
38-06	5x5 NEOPRENE GASKET 1/16 THICK	2
60-12	GUTTER END PLATE LEFT	1
60-13	GUTTER END PLATE RIGHT	1
60-33	RAFTER BRACKET	16
04-01	3x5 TRANSFER PLATE	0
04-02	5x5 BASE PLATE	2

EXTRUSION PARTS LIST

PART #	NAME	QTY	LENGTH
60-08	GUTTER	1	142 5/8"
60-01	RAFTER	8	138 3/4"
60-03	PRESSURE PLATE*	8	138 3/4"
60-02	FACE COVER*	8	138 3/4"
32-02	POST	2	96"
60-16	EPDM GASKET*	1	370'

\*SMALL EXTRUSIONS ARE NOT TO SCALE FOR CLARITY

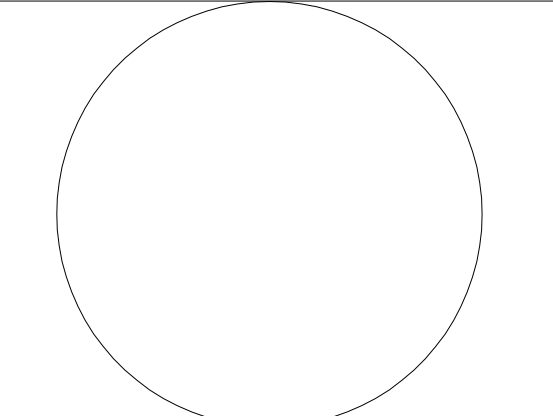


**HANSEN**  
ALUMINUM RAILING  
5500 SE ALEXANDER ST.  
HILLSBORO, OR 97123  
PHONE 503.356.0959  
FAX 503.356.8478  
WWW.ALUMINUMRAILING.COM

**SKY VUE**™  
Patio Covers  
PROJECT COLOR  
TO BE DETERMINED

SUBMITTAL

PROPRIETARY AND CONFIDENTIAL  
THE INFORMATION CONTAINED IN THIS DRAWING IS THE SOLE PROPERTY OF SKY VUE PATIO COVERS. ANY REPRODUCTION IN PART OR AS A WHOLE WITHOUT WRITTEN PERMISSION OF SKY VUE PATIO COVERS IS PROHIBITED.



CLIENT INFORMATION  
SKY VUE PATIO COVERS  
PROJECT NAME  
FS12-12 SERIES CANOPY

PROJECT NUMBER  
DATE ISSUED 5-7-10  
SHEET 1 of 1 REVISION 0