



PATIO COVER QUOTE REQUEST FORM

Customer Name: _____

Customer Address: _____

Phone: _____ email: _____

DRAWINGS / DOCUMENTS REQUIRED:

- Project specific submittal drawings
- Project specific structural engineering (For city permits)

CANOPY SHADE:

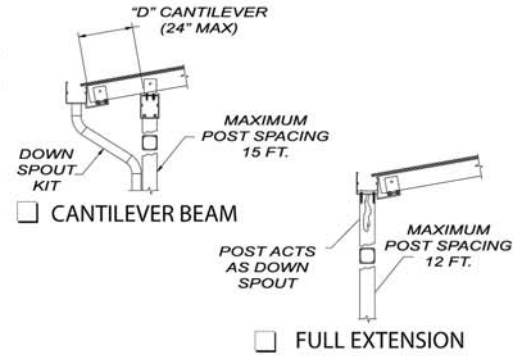
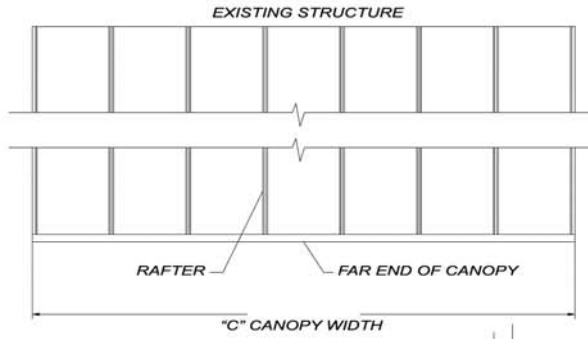
- 50% shade panels
- Clear panels - Optional

STANDARD COLORS:

- | | |
|---|---|
| <input type="checkbox"/> Sky white - gloss | <input type="checkbox"/> Black - matte |
| <input type="checkbox"/> Oyster white - gloss | <input type="checkbox"/> Beige gray - gloss |
| <input type="checkbox"/> Forest green - gloss | <input type="checkbox"/> Bronze - matte |
| <input type="checkbox"/> Agate gray - gloss | <input type="checkbox"/> Annodized silver - gloss |

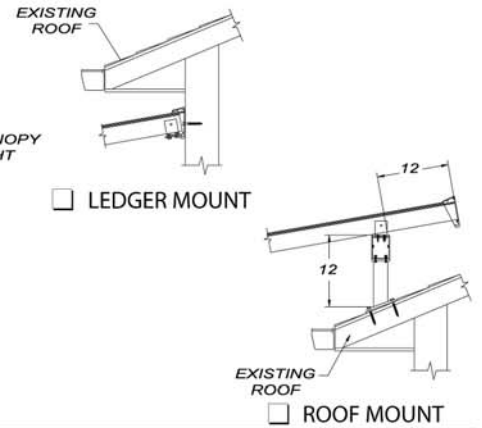
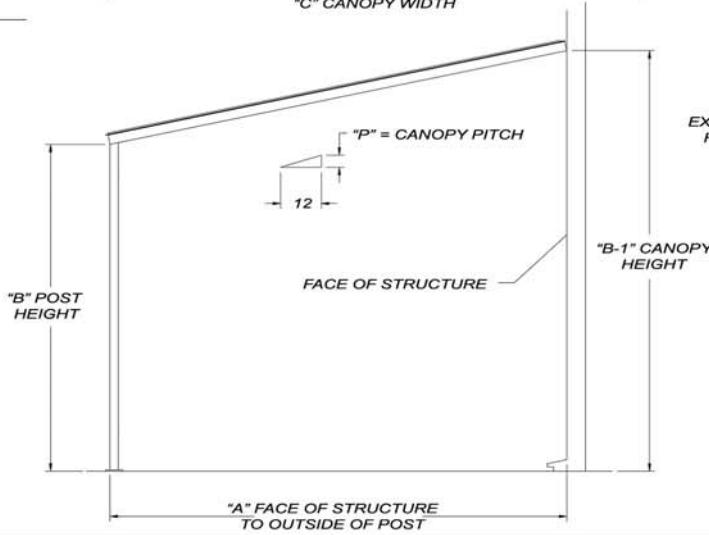
POST MOUNTING SURFACE:

- Concrete Slab
 - Concrete Wall
 - Specify wall thickness: _____
 - Wood
 - Waterproofing
 - Other: _____
- Sketch below



MEASUREMENTS:

- "A" FACE OF STRUCTURE TO OUTSIDE OF POST
- "B" POST HEIGHT
- "B-1" CANOPY HEIGHT AT STRUCTURE
- "C" OVER ALL DESIRED WIDTH OF CANOPY
- "P" CANOPY PITCH (INCH OF RISE PER FOOT)
- "P-1" ROOF PITCH (INCH OF RISE PER FOOT)



GRID - SCALE 1/8" X 1/8"

* MINIMUM OF 4" OF BLOCKING REQUIRED AT POST MOUNTING AREAS