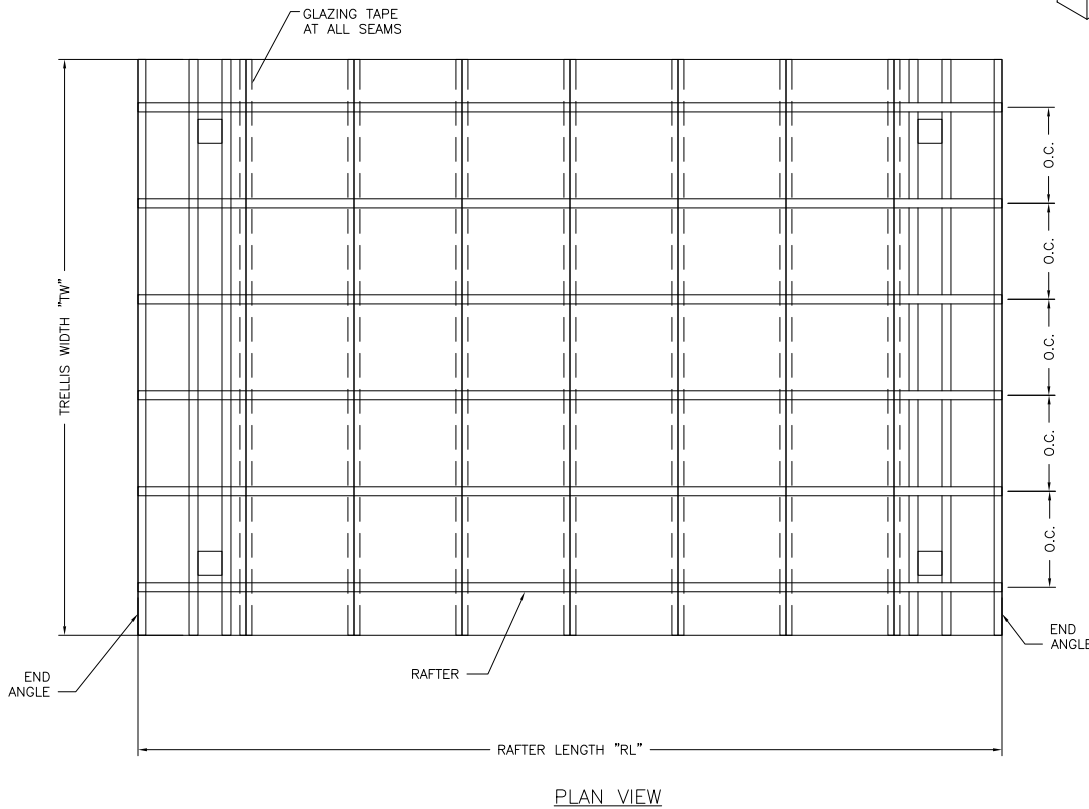
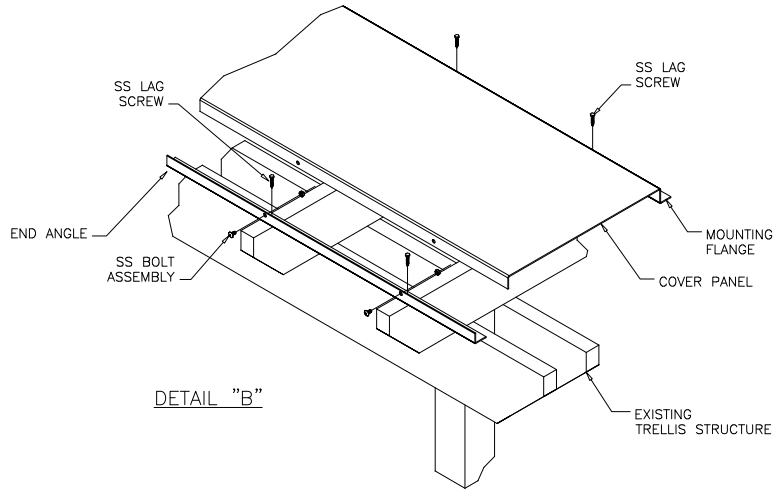




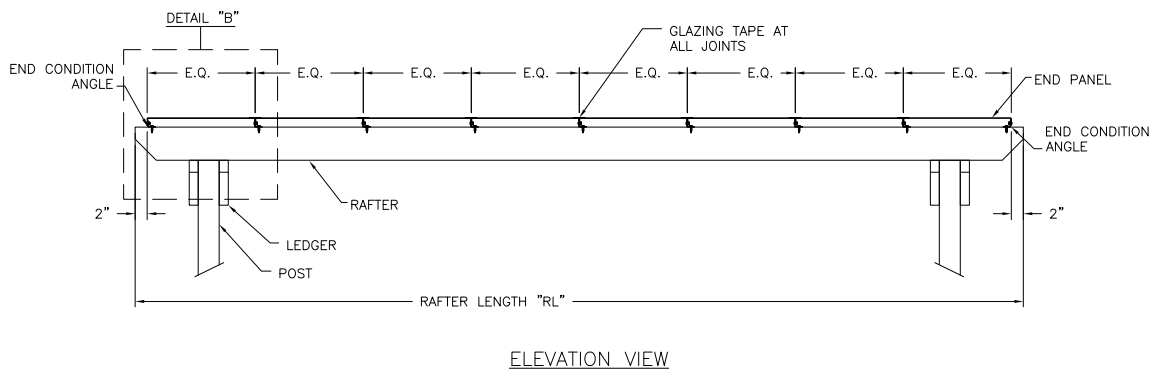
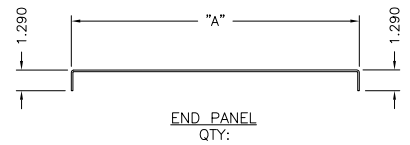
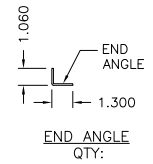
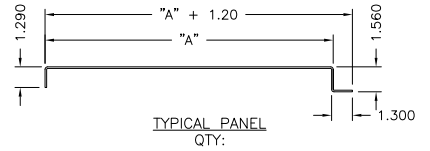
5500 SE ALEXANDER ST.
 HILLSBORO, OR 97123
 PHONE 503.356.0959
 FAX 503.356.8478

skyvuepatiocover.com



NOTE:
 DIMENSION "A" DETERMINED BY
 RAFTER LENGTH "RL"

POLYCARBONATE TINT:
 CLEAR 50% TINT



PERGOLA COVER SYSTEM - PERPENDICULAR DETAIL

THE INFORMATION CONTAINED IN THIS DRAWING IS THE SOLE PROPERTY OF HANSEN ARCHITECTURAL SYSTEMS, INC. ANY REPRODUCTION IN PART OR AS A WHOLE WITHOUT THE WRITTEN PERMISSION OF HANSEN ARCHITECTURAL SYSTEMS, INC. IS PROHIBITED.