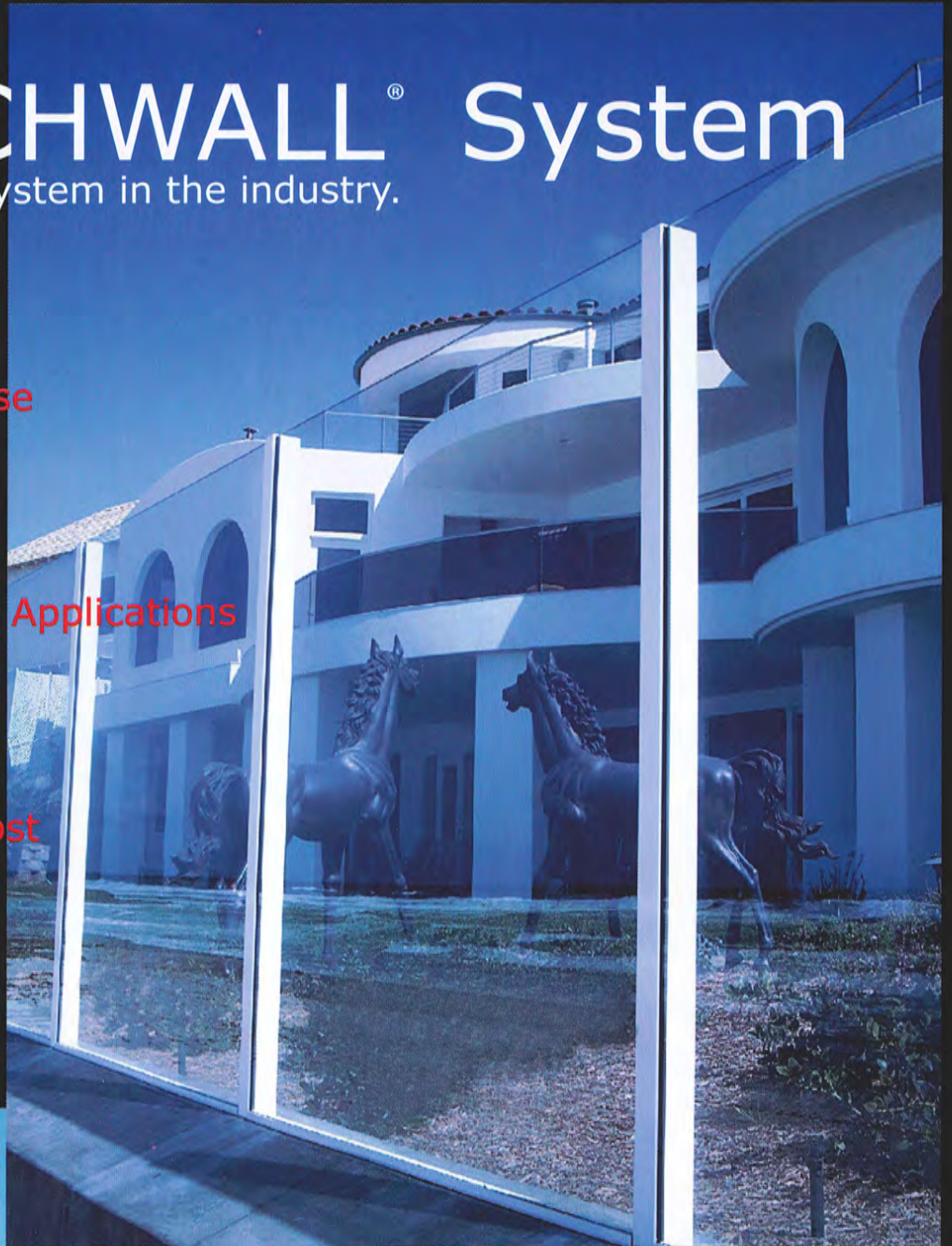


Introducing The TECHWALL® System

The finest glass wall system in the industry.

- Attractive
- Reduces Street Noise
- Maintenance Free
- Adaptable for Many Applications
- Short Lead-time
- Surprisingly Low Cost
- Rapid Installation



The TECHWALL® system was developed to create a maintenance free, modern style that provides a clear and unobstructed view of surrounding environments.



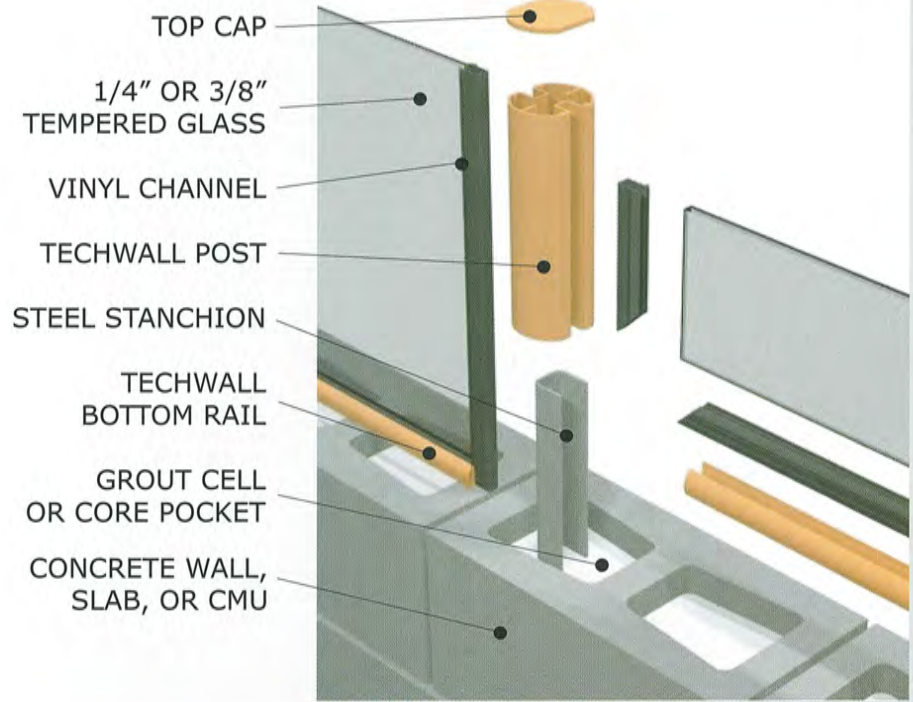
PORTLAND • SEATTLE • SAN DIEGO • KONA • TAMPA



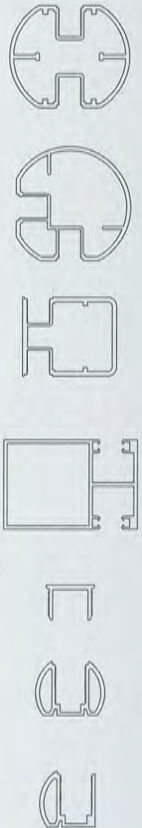
HANSEN
ARCHITECTURAL
SYSTEMS

WORLD-GLASS ALUMINUM PRODUCTS

TECHWALL® incorporates in its design a variety of important components. The system's superior corrosion resistance is achieved using a one-piece aluminum post with a baked-on polyester powder coating. The 1/4" or 3/8" glass is secured into the post using a weather tight, vibration-free vinyl channel that is impervious to ultraviolet rays. TECHWALL® is available in numerous colors.



Post and Rail Options



5500 SE Alexander St., Hillsboro, OR 97123 • USA

Phone: (800) 599-2965

Fax: (503) 356-8478

Email: info@aluminumrailing.com

Website: www.aluminumrailing.com

PORTLAND • SEATTLE • SAN DIEGO • KONA • TAMPA



WORLD-CLASS ALUMINUM PRODUCTS